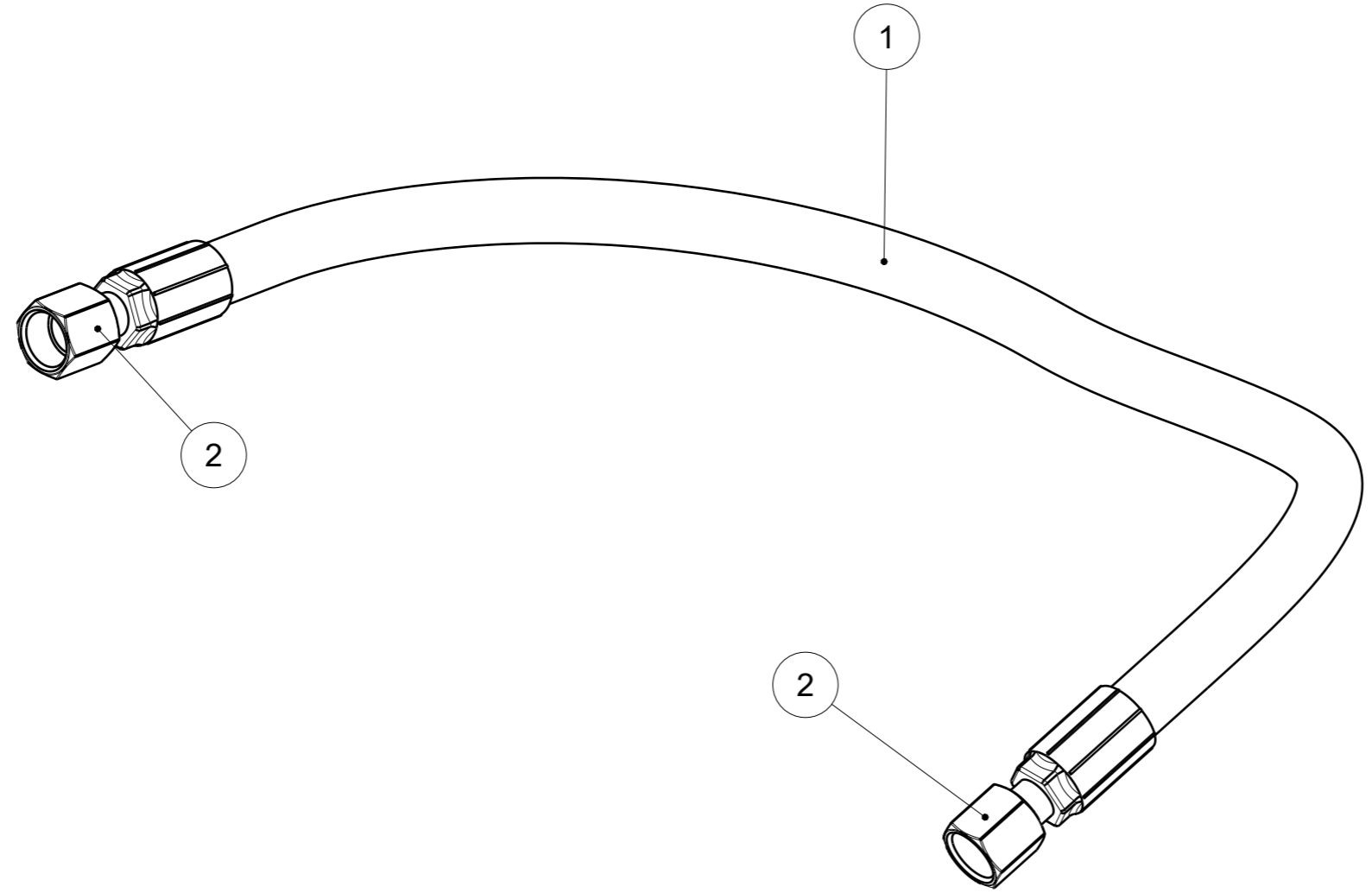


File	Ver.	Category
Object	1.5	HYD_HOSE
Dnw	1.6	

This document must not be copied without our written permission, and the contents thereof must not be imparted to a third party nor be used for any unauthorized purpose. Contravention will be prosecuted. - Väderstad AB

Rev.	Change Note	ECO Des.	-	ECO/RO	-	Date	-	Appr.	-
-									
-									
-									



Manufacturing according to ISO 17165-1.

LENGTH equals to cutting length of hose material.

2	2	30001498	Hydraulkoppling / Hydraulic coupling	08FJX - 08 Hose - straight
1	1	611106	Hydraulikslang / Hydraulic hose	Di: 1/2"
Pos.	Qty.	Art.no.	Description	Description dim.
For Holes		Size ISO 14405 (GX)	Designer andcar	Examiner erijo
According to standard		VAB STD 06-001:2022	Approved First Release	-
			Description	Hydraulslang Hydraulic hose LENGTH 700 ±6
			Proj.	24672
			Scale	1:2
			Format	A3
			Date Created	2023-06-30
			Weight (kg)	0.588
			State	In Work
			SR	-
			NUFO	-
			Art.no.	30001830
			Rev.	1
			Sheet	1/1