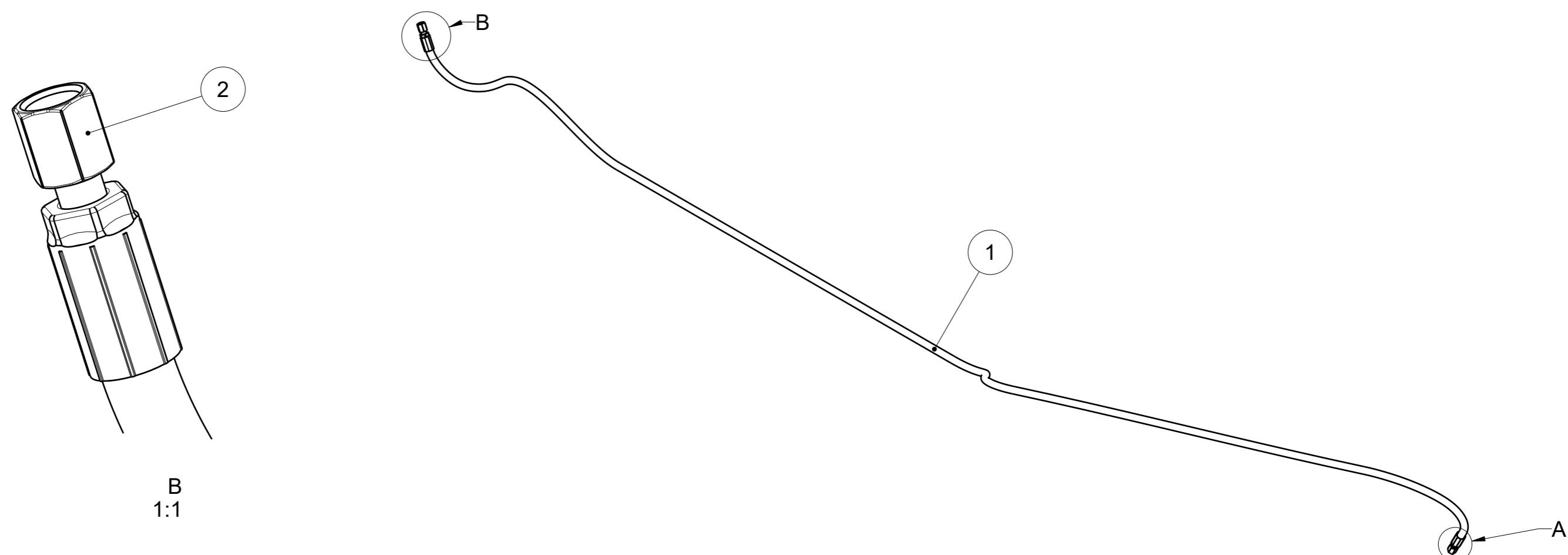
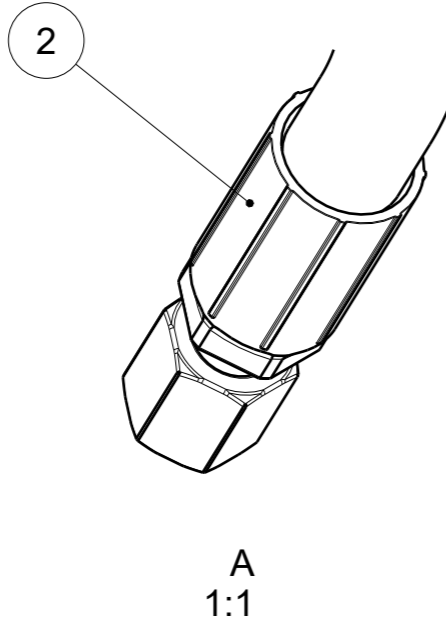


Rev.	Change Note	ECO Des.	-	ECO/RO	-	Date	-	Appr.	-
-									
-									
-									




B
1:1



A
1:1

Manufacturing according to ISO 17165-1.

LENGTH equals to cutting length of hose material.

2	2	30001442	Hydraulkoppling / Hydraulic coupling	06FJX - 06 Hose - straight
1	1	611105	Hydraulslang / Hydraulic hose	Di:3/8"
Pos.	Qty.	Art.no.	Description	Description dim.
For Holes		Size ISO 14405 (GX)	Designer andcar	Examiner erijo
According to standard		VAB STD 06-001:2022	Approved First Release	-
			Description	Hydraulslang Hydraulic hose LENGTH 3430 ± 35
Date Created		2023-06-09	Scale	1:10
State		In Work	Format	A3
Art.no.		30001806	Weight (kg)	1.62
Rev.		1	SR	-
			NUFO	-
			Sheet	1/1

File	Ver.	Category
Object	1.4	HYD_HOSE
Dnw	1.4	

This document must not be copied without our written permission, and the contents thereof must not be imparted to a third party nor be used for any unauthorized purpose. Contravention will be prosecuted. - Väderstad AB