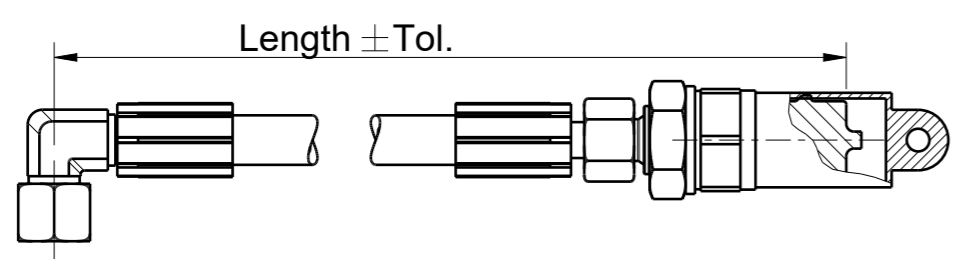
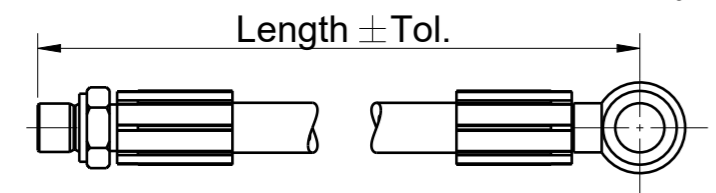
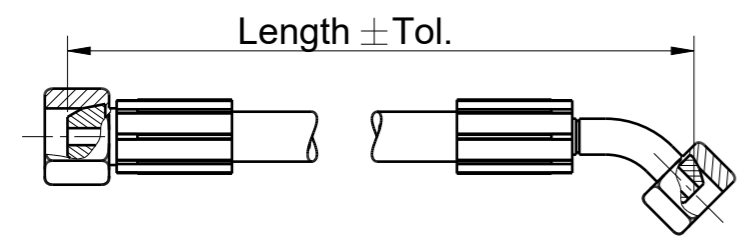
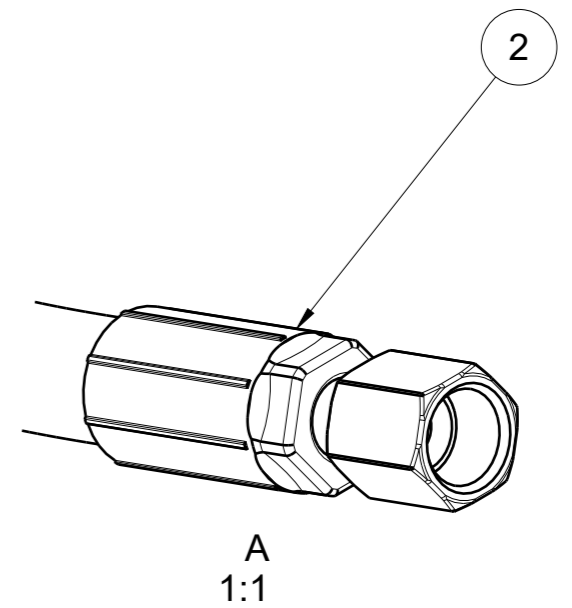
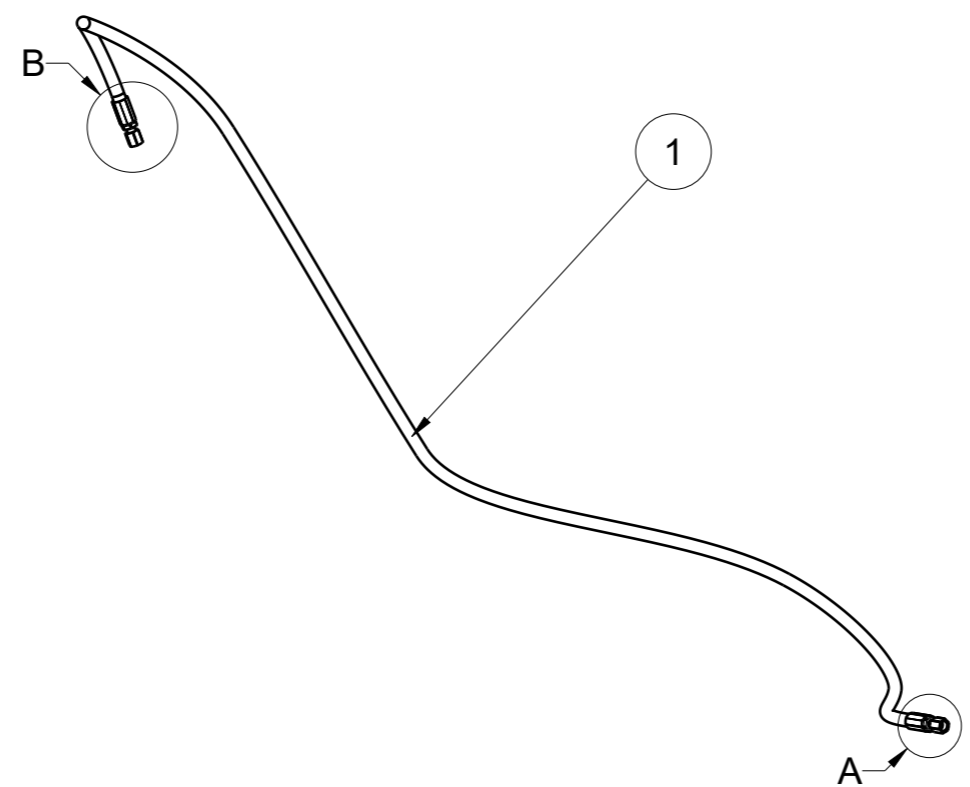
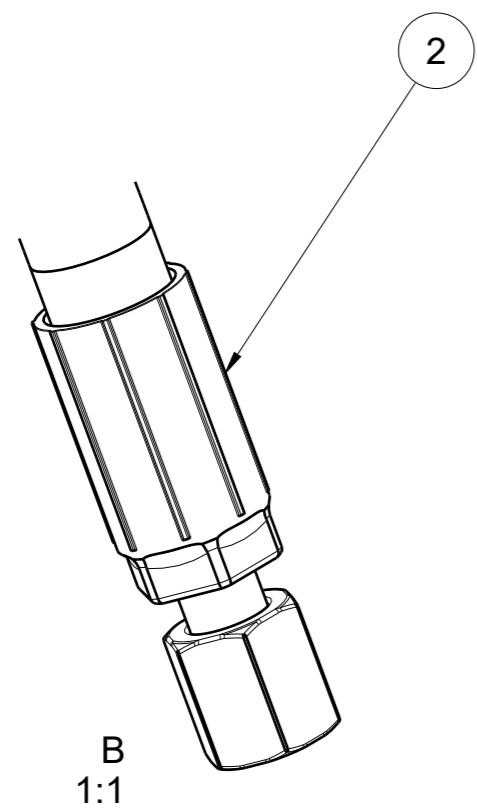



Rev.	Change Note	ECO Des.	-	ECO/RO	-	Date	-	Appr.	-
-									



Manufacturing according to VAB STD 09-101

2	2	30001442	Hydraulkoppling / Hydraulic coupling	06FJX - 06 Hose - straight
1	1	611105	Hydraulslang / Hydraulic hose	Di:3/8"
Pos.	Qty.	Art.no.	Description	Description dim.
For Holes			Designer	Examiner
Size ISO 14405 (GX)			andcar	-
According to standard			Approved First Release	-
VAB STD 06-001:2022			Description	
			Hydraulslang Hydraulic hose LENGTH 2650 ±27	
Date Created		2023-06-13	Scale	1:10
State		Concept	Format	A3
Art.no.		30001803	Weight (kg)	1.29
Rev.		1	SR	-
			NUFO	-
			Sheet	1/1

File	Ver.	Category
Object	1.3	HYD_HOSE
Dnw	1.2	

This document must not be copied without our written permission, and the contents thereof must not be imparted to a third party nor be used for any unauthorized purpose. Contravention will be prosecuted. Väderstad AB