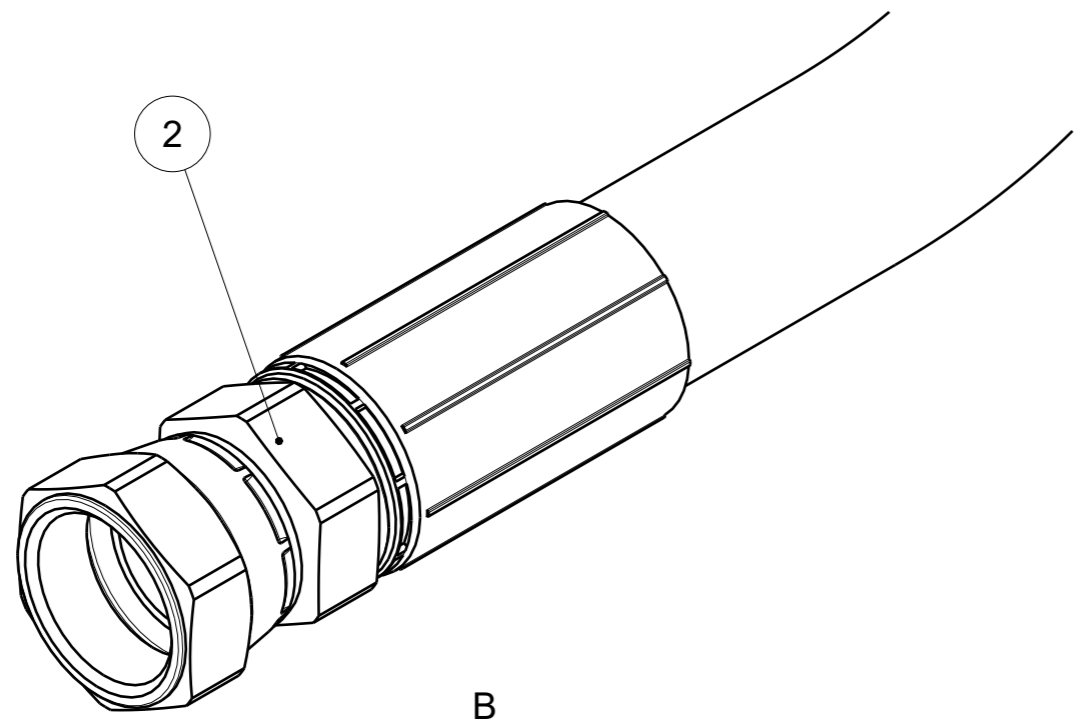


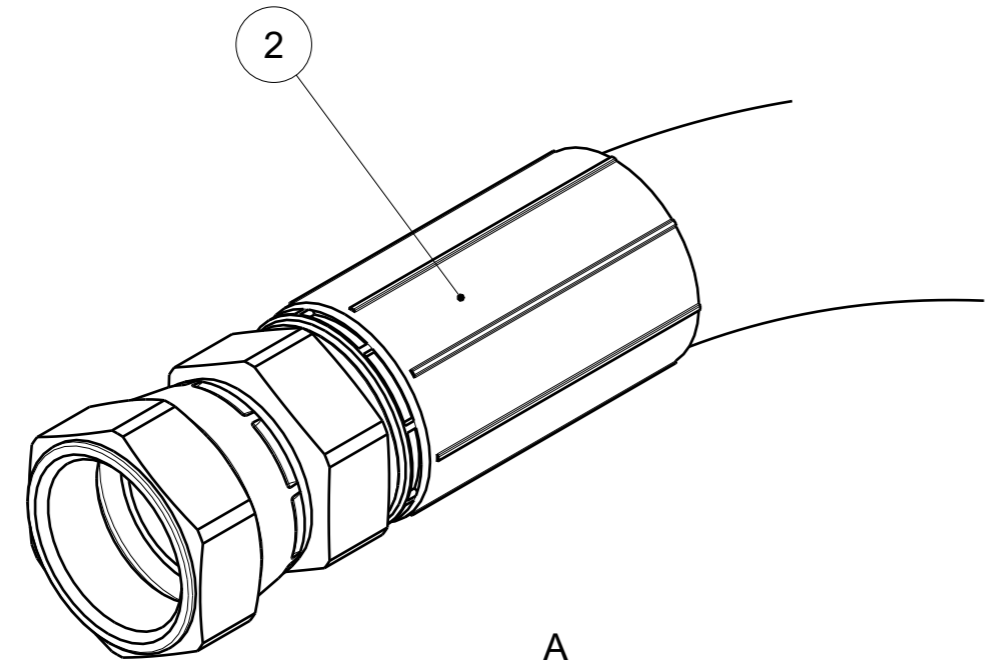
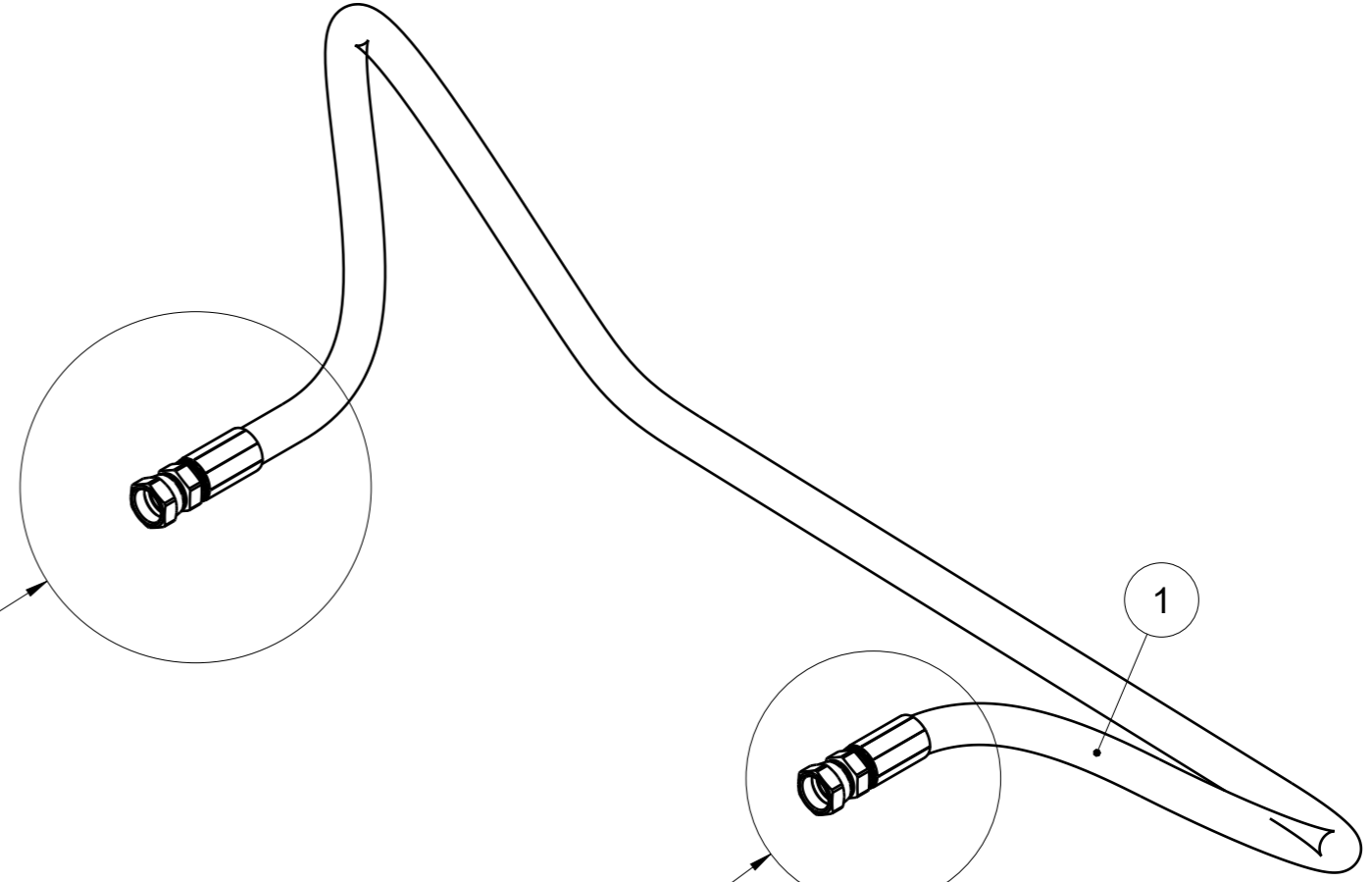
|        |      |          |
|--------|------|----------|
| File   | Ver. | Category |
| Object | 1.8  | HYD_HOSE |
| Dwg    | 1.9  |          |

This document must not be copied without our written permission, and the contents thereof must not be imparted to a third party nor be used for any unauthorized purpose. Contravention will be prosecuted. - Väderstad AB

|      |             |          |   |        |   |      |   |       |   |
|------|-------------|----------|---|--------|---|------|---|-------|---|
| Rev. | Change Note | ECO Des. | - | ECO/RO | - | Date | - | Appr. | - |
| -    |             |          |   |        |   |      |   |       |   |




B  
1:1



A  
1:1

Manufacturing according to ISO 17165-1.

LENGTH equals to cutting length of hose material.

|   |      |                     |   |                            |
|---|------|---------------------|---|----------------------------|
| 2   | 2    | 30001439            | Hydraulkoppling / Hydraulic coupling  | 12FJX - 12 Hose - straight |
| 1   | 1    | 611107              | Hydraulslang / Hydraulic hose   | Di:3/4"                    |
| Pos.  | Qty. | Art.no.             | Description   | Description dim.           |
| For Holes   |      | Size ISO 14405 (GX) | Designer andcar   | Examiner erijo             |
| According to standard   |      | VAB STD 06-001:2022 | Approved First Release -  |                            |
|  |      |                     | Description<br><b>Hydraulslang</b><br><b>Hydraulic hose</b><br><b>LENGTH 2140 ±22</b> |                            |
| Proj.   |      | ECO 24672           | Scale 1:5   | Format A3                  |
| Date Created  |      | 2023-06-09          | Weight (kg) 2.39  |                            |
| State   |      | In Work             | SR -  | NUFO -                     |
| Art.no.   |      | 30001706            | Rev. 1  | Sheet 1/1                  |