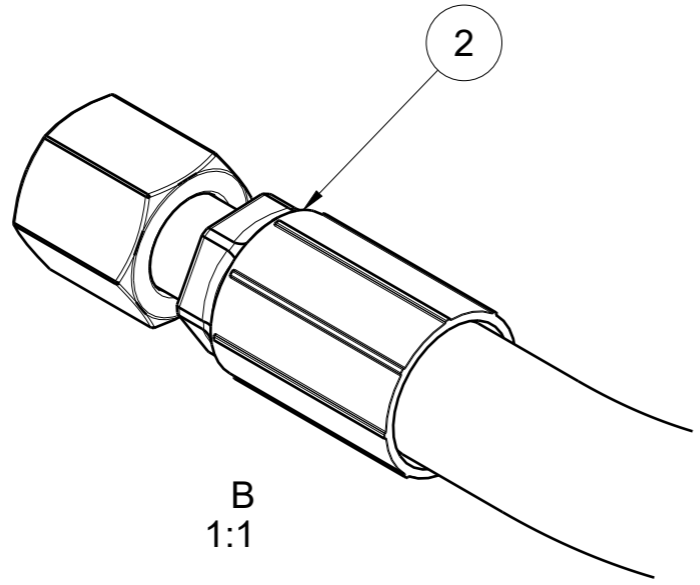
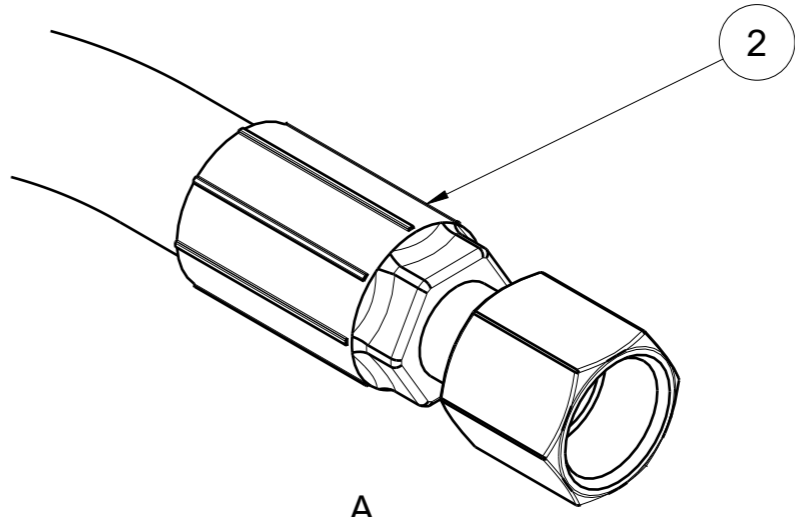


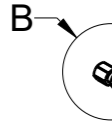
Rev.	Change Note	ECO Des.	-	ECO/RO	-	Date	-	Appr.	-
-									
-									



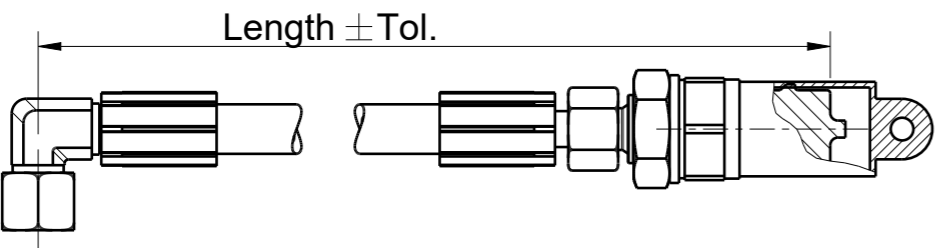
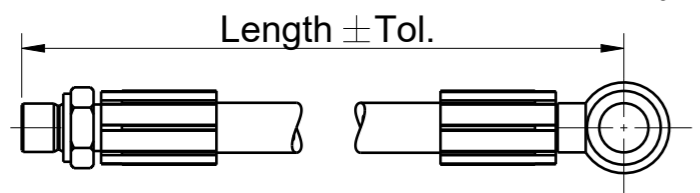
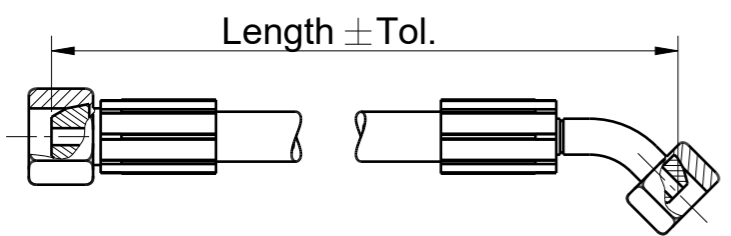
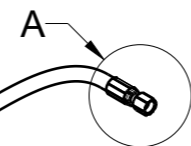
B
1:1




A
1:1



1



Manufacturing according to VAB STD 09-101

2	2	30001498	Hydraulkoppling / Hydraulic coupling	08FJX - 08 Hose - straight
1	1	611106	Hydraulslang / Hydraulic hose	Di:1/2"
Pos.	Qty.	Art.no.	Description	Description dim.
For Holes			Designer	Examiner
Size ISO 14405 (GX)			andcar	-
According to standard			Approved First Release	-
VAB STD 06-001:2022			Description	
			Hydraulslang Hydraulic hose LENGTH 2450 ±25	
Date Created		2023-06-05		Scale
State		Concept		1:10
Art.no.		30001701		Format
Rev.		1		A3
Weight (kg)		1.50		Sheet
SR		-		1/1
NUFO		-		

File	Ver.	Category
Object	1.4	HYD_HOSE
Dwg	1.1	

This document must not be copied without our written permission, and the contents thereof must not be imparted to a third party nor be used for any unauthorized purpose. Contravention will be prosecuted. Väderstad AB