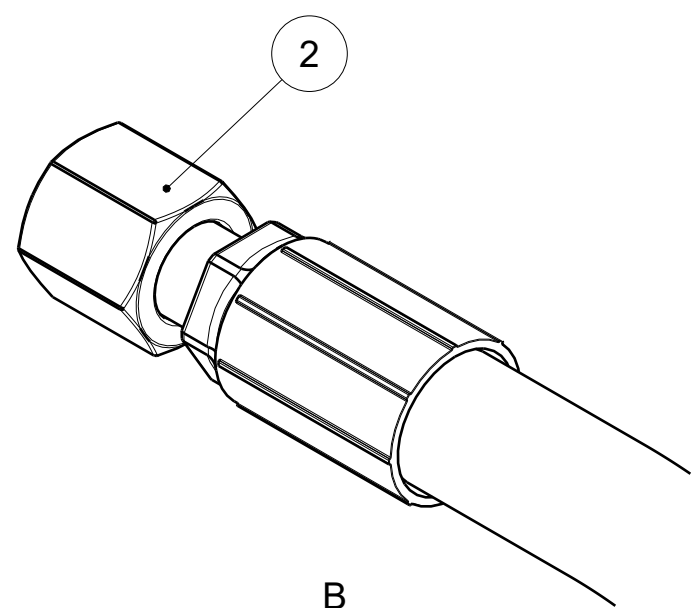
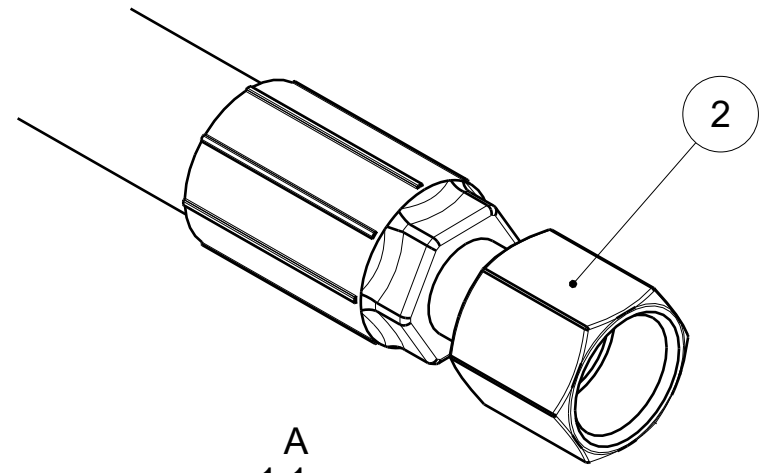
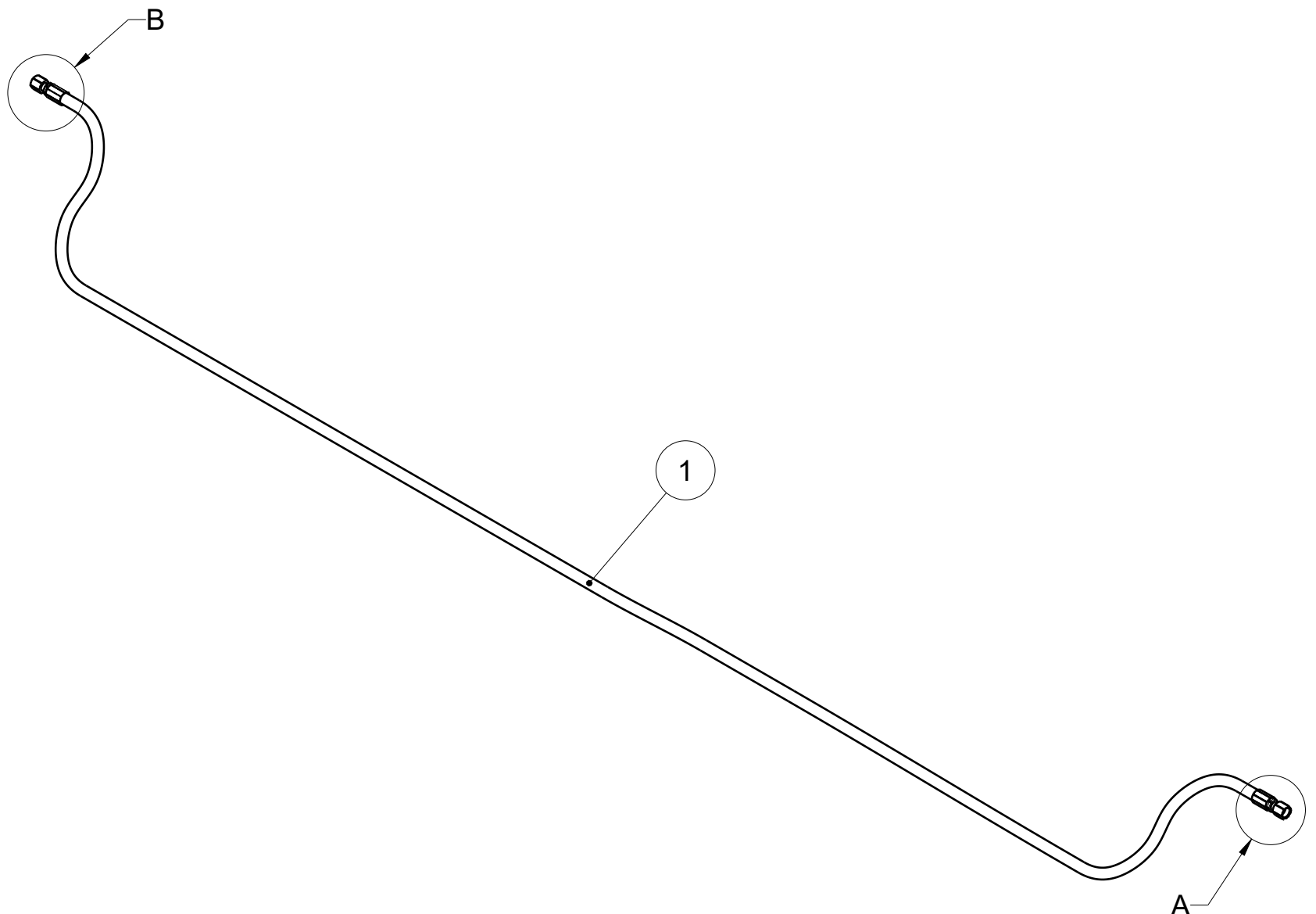


Rev.	Change Note	ECO Des.	-	ECO/RO	-	Date	-	Appr.	-
-									
-									
-									




B
1:1



A
1:1

Manufacturing according to ISO 17165-1.

LENGTH equals to cutting length of hose material.

2	2	30001498	Hydraulkoppling / Hydraulic coupling	08FJX - 08 Hose - straight
1	1	611106	Hydraulslang / Hydraulic hose	Di:1/2"
Pos.	Qty.	Art.no.	Description	Description dim.
For Holes			Designer	Examiner
Size ISO 14405 (GX)			andcar	erijo
According to standard			Approved First Release	Proj.
VAB STD 06-001:2022			-	ECO
			Description	
			Hydraulslang Hydraulic hose LENGTH 3280 ± 33	
Date Created			Scale	Format
2023-06-02			1:10	A3
State			SR	NUFO
In Work			-	-
Art.no.			Rev.	Sheet
30001699			1	1/1

File	Ver.	Category
Object	1.5	HYD_HOSE
Dwg	1.5	

This document must not be copied without our written permission, and the contents thereof must not be imparted to a third party nor be used for any unauthorized purpose. Contravention will be prosecuted. - Väderstad AB