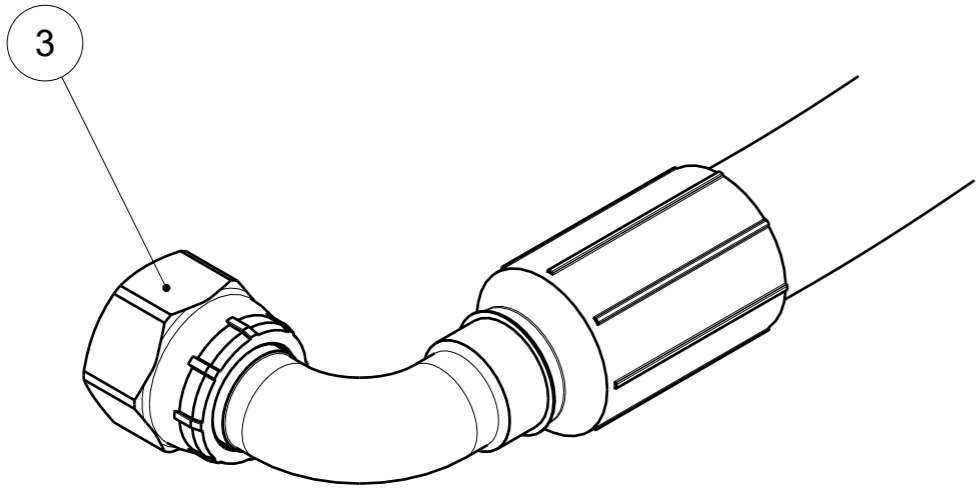
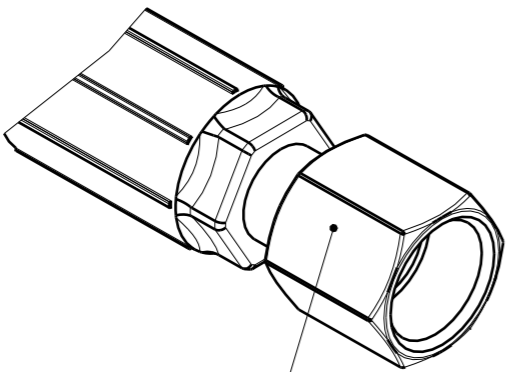
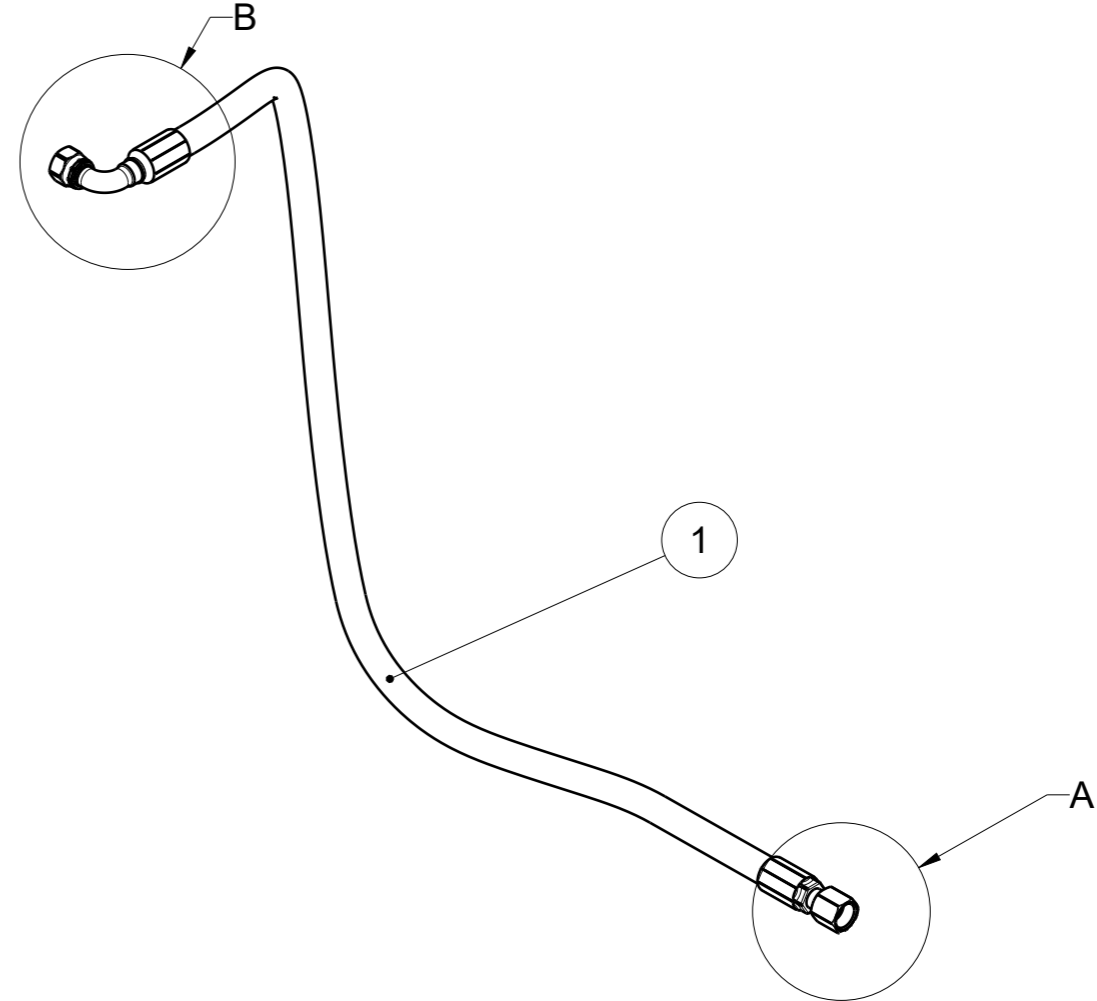


Rev.	Change Note	ECO Des.	-	ECO/RO	-	Date	-	Appr.	-
-									



B
1:1



A
1:1

Manufacturing according to ISO 17165-1.

LENGTH equals to cutting length of hose material.

3	1	30001777	Hydraulkoppling / Hydraulic coupling	08FJX - 08 Hose - elbow 90°					
2	1	30001498	Hydraulkoppling / Hydraulic coupling	08FJX - 08 Hose - straight					
1	1	611106	Hydraulslang / Hydraulic hose	Di:1/2"					
Pos.	Qty.	Art.no.	Description	Description dim.					
For Holes			Designer	Examiner	Approved First Release	Proj.	ECO	Scale	Format
Size ISO 14405 (GX)			andcar	erijo	-		24672	1:5	A3
According to standard			Description		Date Created	Weight (kg)			
VAB STD 06-001:2022			Hydraulslang Hydraulic hose LENGTH 1070 ± 11		2023-06-12	0.792			
					State	SR	NUFO		
					Art.no.	Rev.	Sheet		
					30001693	1	1/1		

File	Ver.	Category
Object	1.10	HYD_HOSE
Dnw	1.9	

This document must not be copied without our written permission, and the contents thereof must not be imparted to a third party nor be used for any unauthorized purpose. Contravention will be prosecuted. - Väderstad AB