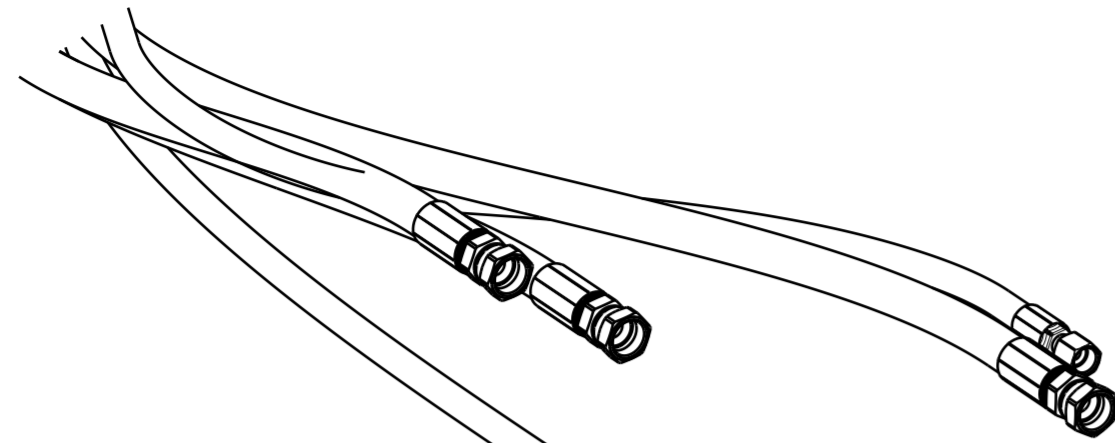
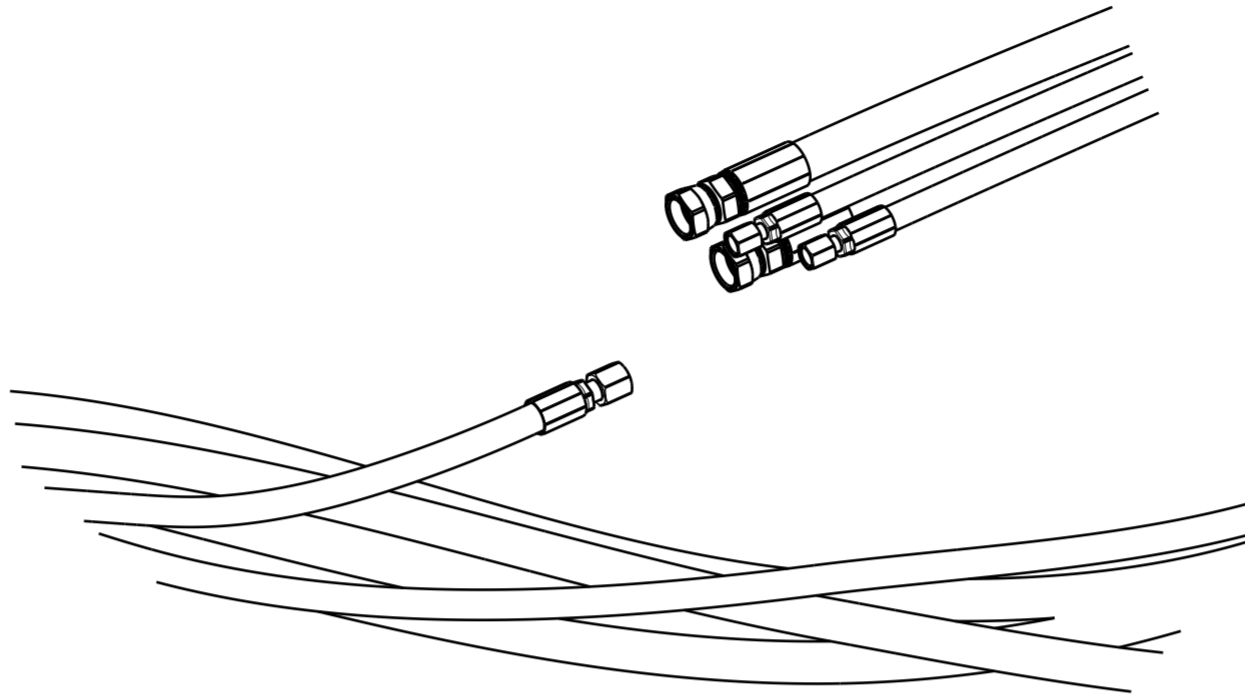


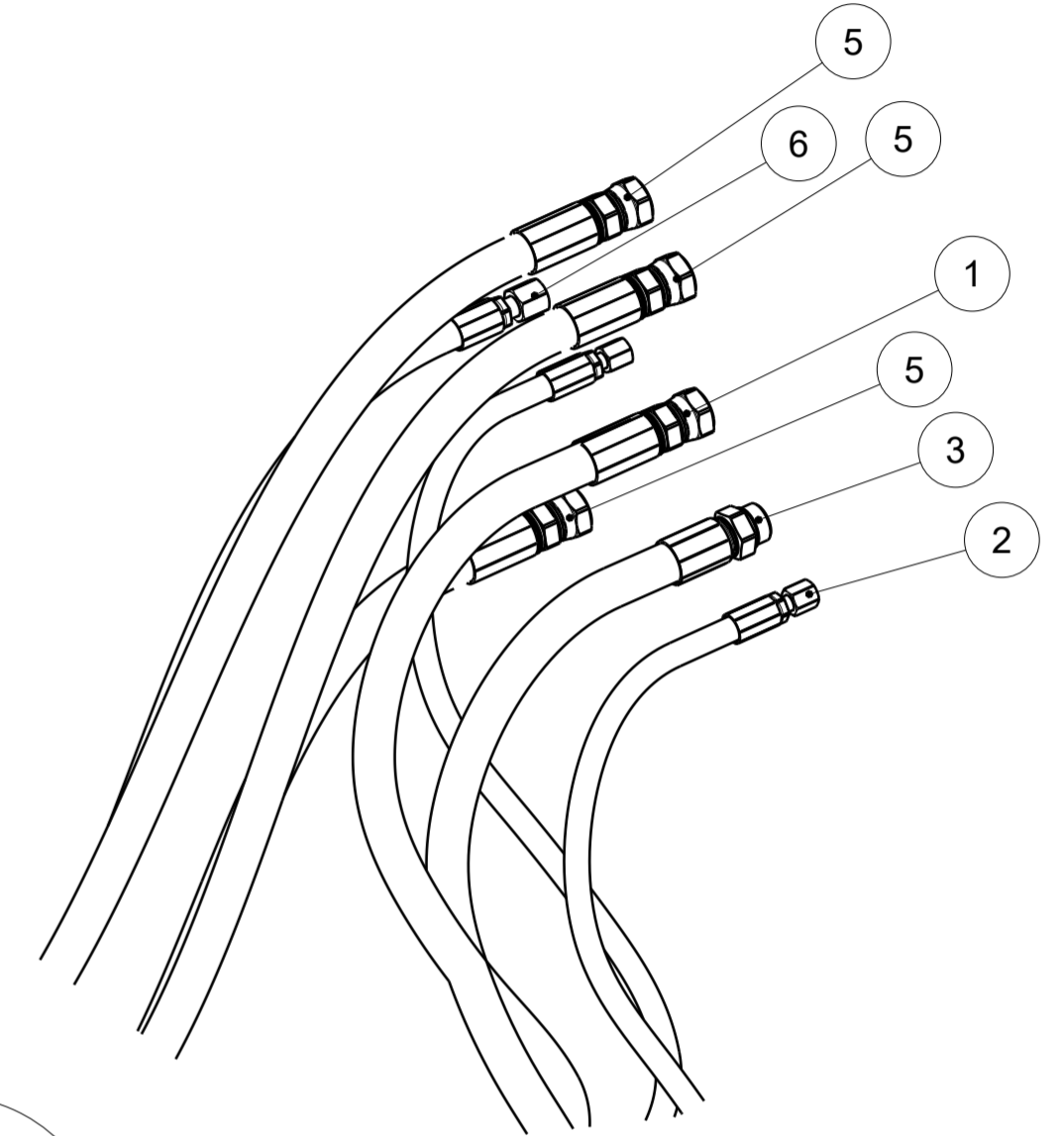
6	7	8
Rev.	Change Note	ECO Des.
-	-	-
-	-	-
-	-	-
-	ECO/RO	Date
-	-	-
-	Appr.	-



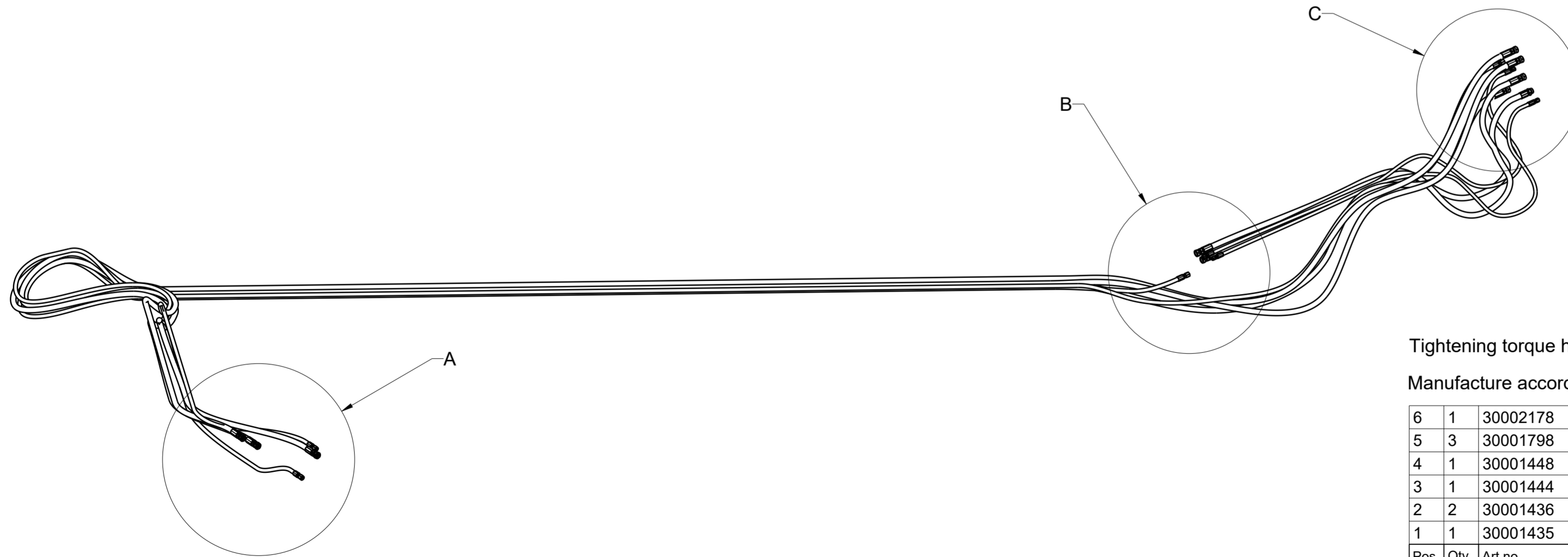
A
1:5



B
1:5



C
1:5



A

B

C

Tightening torque hydraulic connectors according to document 902375.

Manufacture according to VAB STD: 01-001, 01-002

6	1	30002178	Hydraulslang / Hydraulic hose	-
5	3	30001798	Hydraulslang / Hydraulic hose	-
4	1	30001448	Hydraulslang / Hydraulic hose	-
3	1	30001444	Hydraulslang / Hydraulic hose	-
2	2	30001436	Hydraulslang / Hydraulic hose	-
1	1	30001435	Hydraulslang / Hydraulic Hose	-
Pos.	Qty.	Art.no.	Description	Description dim.
For Holes		Designer	Examiner	Approved First Release
Size ISO 14405		ponbr	erijo	-
According to standard		Description		Proj. ECO
VAB STD 06-001:2022		Hydraulik		24672
VÄDERSTAD		Hydraulics		1:20
				Scale
				Format
				A2
				Date Created
				2023-06-29
				Weight (kg)
				54.2
				State
				In Work
				SR
				-
				NUFO
				-
				Art.no.
				30001689
				Rev.
				1
				Sheet
				1/1

File Ver. Category
 Object 1.10 ASSEMBLY
 Dwg 1.8
 This document must not be copied without our written permission, and the content thereof must not be imparted to third parties without our written permission. Contravention will be prosecuted. Väderstad AB