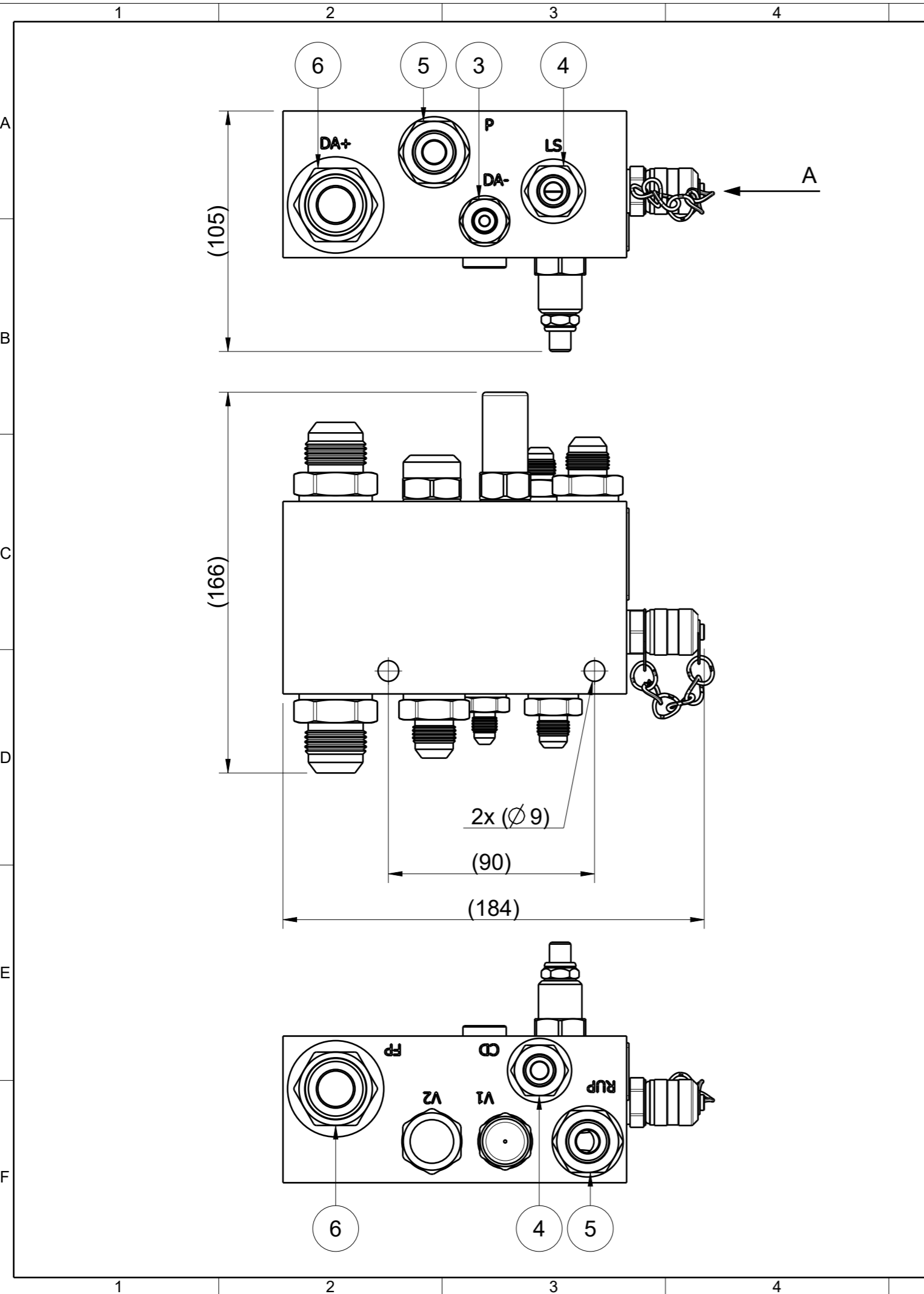
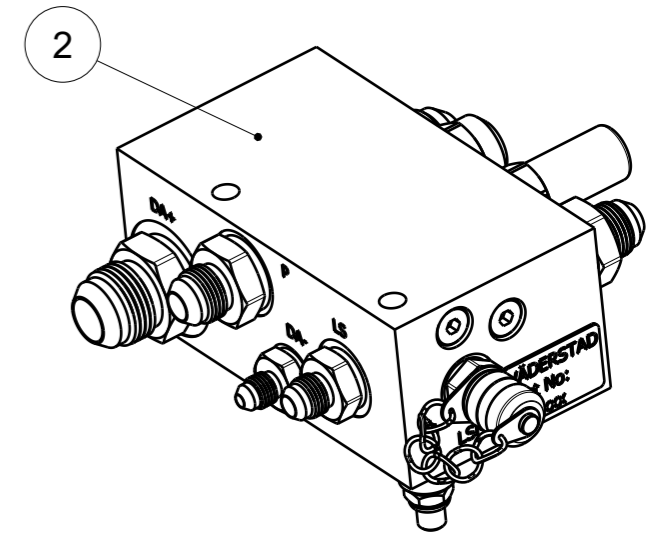
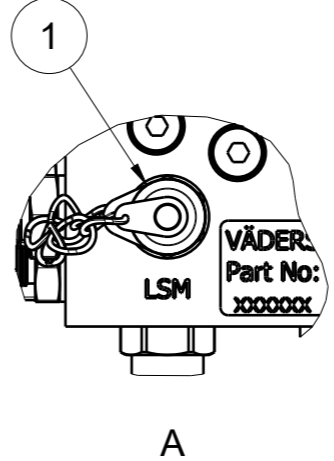
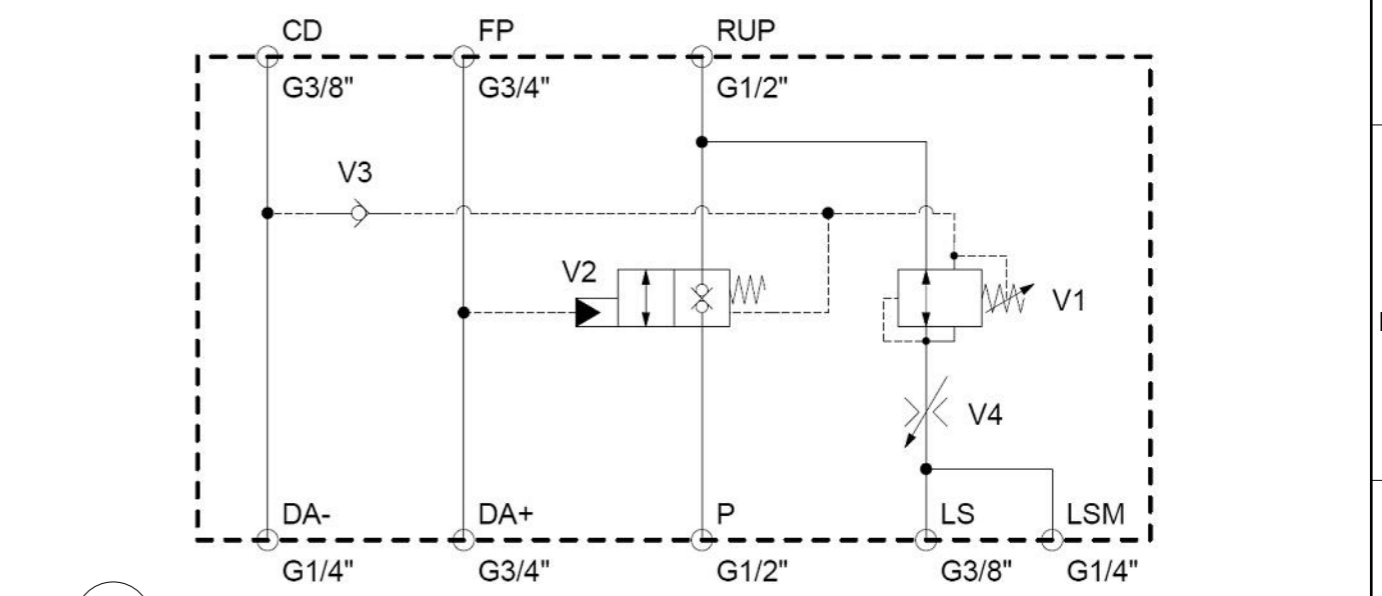


File	Ver.	Category
Object	1.4	HYD_COMPONENT
Dwg	1.4	

This document must not be copied without our written permission, and the contents thereof must not be imparted to a third party nor be used for any unauthorized purpose. Contravention will be prosecuted. Väderstad AB



Rev.	Change Note	ECO Des.	-	ECO/RO	Date	Appr.
------	-------------	----------	---	--------	------	-------



Top level assembly according to specification: 10080102  
 Designed and manufactured according to VAB STD 09-601

6	2	30001685	Adapter	/ Adapter	DO: G3/4" DO: JIC 1 1/16-12
5	2	30001684	Adapter	/ Adapter	DO: G1/2" DO: JIC 3/4-16
4	2	30001683	Adapter	/ Adapter	DO: 3/8" DO: JIC 9/16-18
3	1	30001682	Adapter	/ Adapter	DO: 1/4" DO: JIC 7/16-20
2	1	30001523	Hydraulblock	/ Hydraulic block	
1	1	442429	Adapter	/ Adapter	-
Pos.	Qty.	Art.no.	Description		Description dim.
For Holes			Designer	Examiner	Approved First Release
Size ISO 14405 (GX)			simwar	erijo	
According to standard			Description		Date Created
VAB STD 06-001:2022			Hydraulblock		2023-05-29
			Hydraulic block		Weight (kg)
					2.86
					State
					Concept
					SR
					NUFO
					Art.no.
					30001522
					Rev.
					1
					Sheet
					1/1

