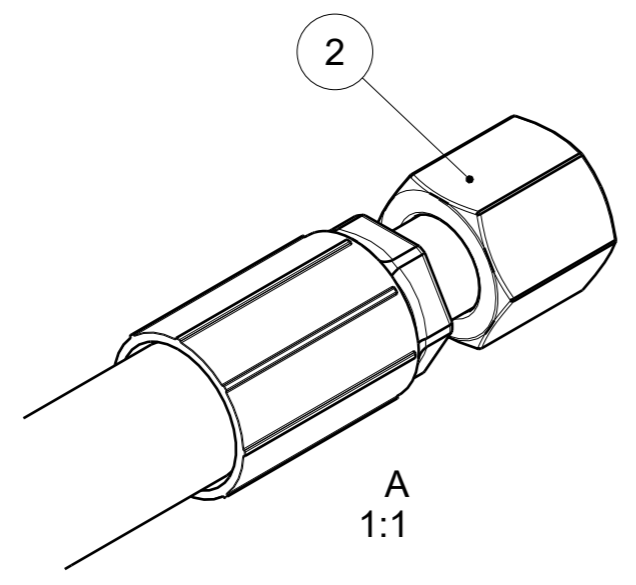


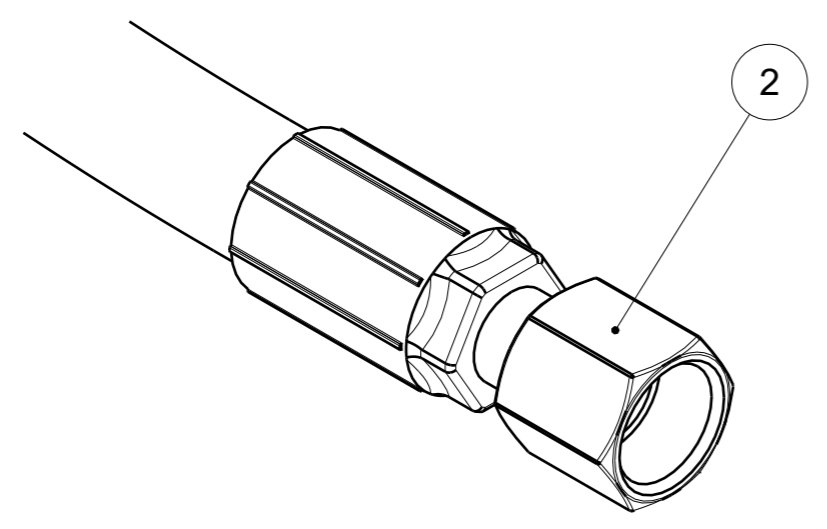
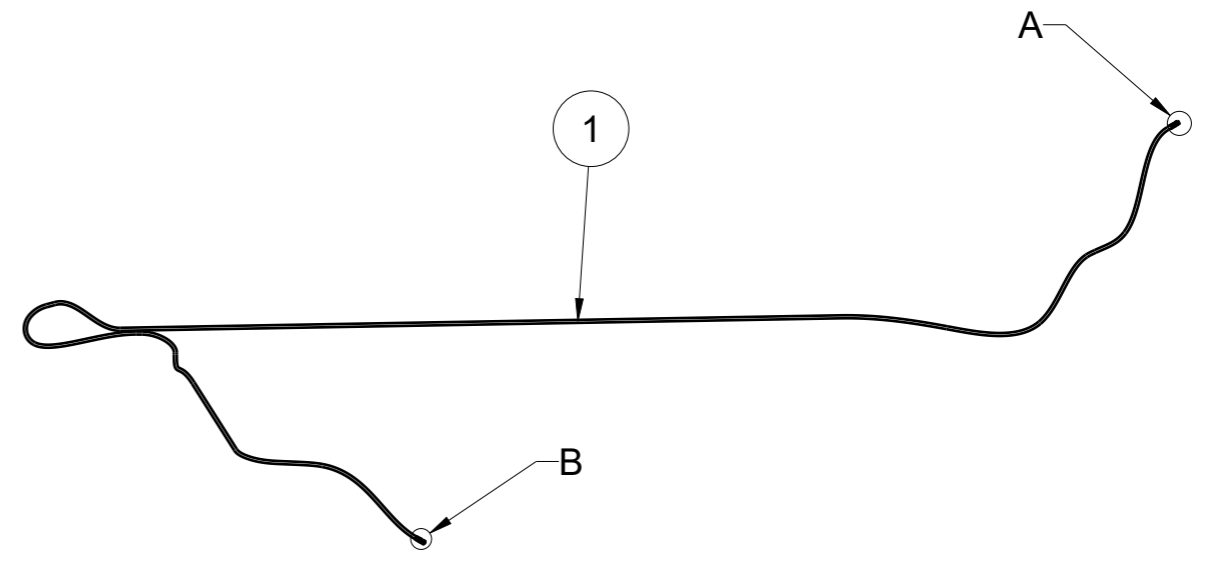
File	Ver.	Category
Object	1.7	HYD_HOSE
Dnw	1.7	

This document must not be copied without our written permission, and the contents thereof must not be imparted to a third party nor be used for any unauthorized purpose. Contravention will be prosecuted. - Väderstad AB

Rev.	Change Note	ECO Des.	-	ECO/RO	-	Date	-	Appr.	-
-									
-									
-									




A
1:1



B
1:1

Manufacturing according to ISO 17165-1.

LENGTH equals to cutting length of hose material.

2	2	30001498	Hydraulkoppling / Hydraulic coupling	08FJX - 08 Hose - straight
1	1	611106	Hydraulslang / Hydraulic hose	Di:1/2"
Pos.	Qty.	Art.no.	Description	Description dim.
For Holes			Designer	Examiner
Size ISO 14405 (GX)			andcar	erijo
According to standard			Approved First Release	Proj.
VAB STD 06-001:2022			-	ECO 24672
			Scale	
			1:50	Format A3
Hydraulic hose LENGTH 13570 ± 136			Date Created	Weight (kg)
			2023-06-01	7.28
			State	SR
			In Work	-
			Art.no.	Rev.
			30001487	1
			Sheet	1/1