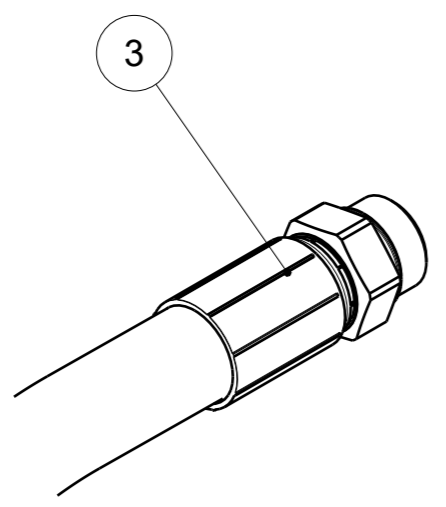
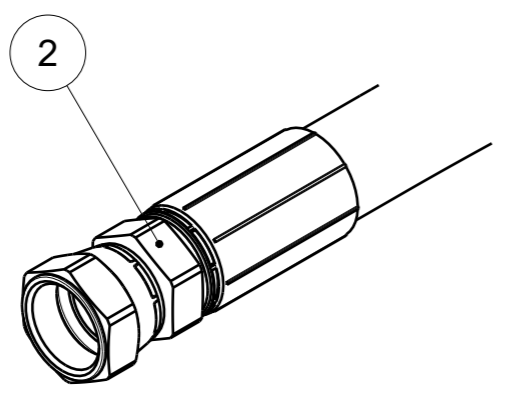


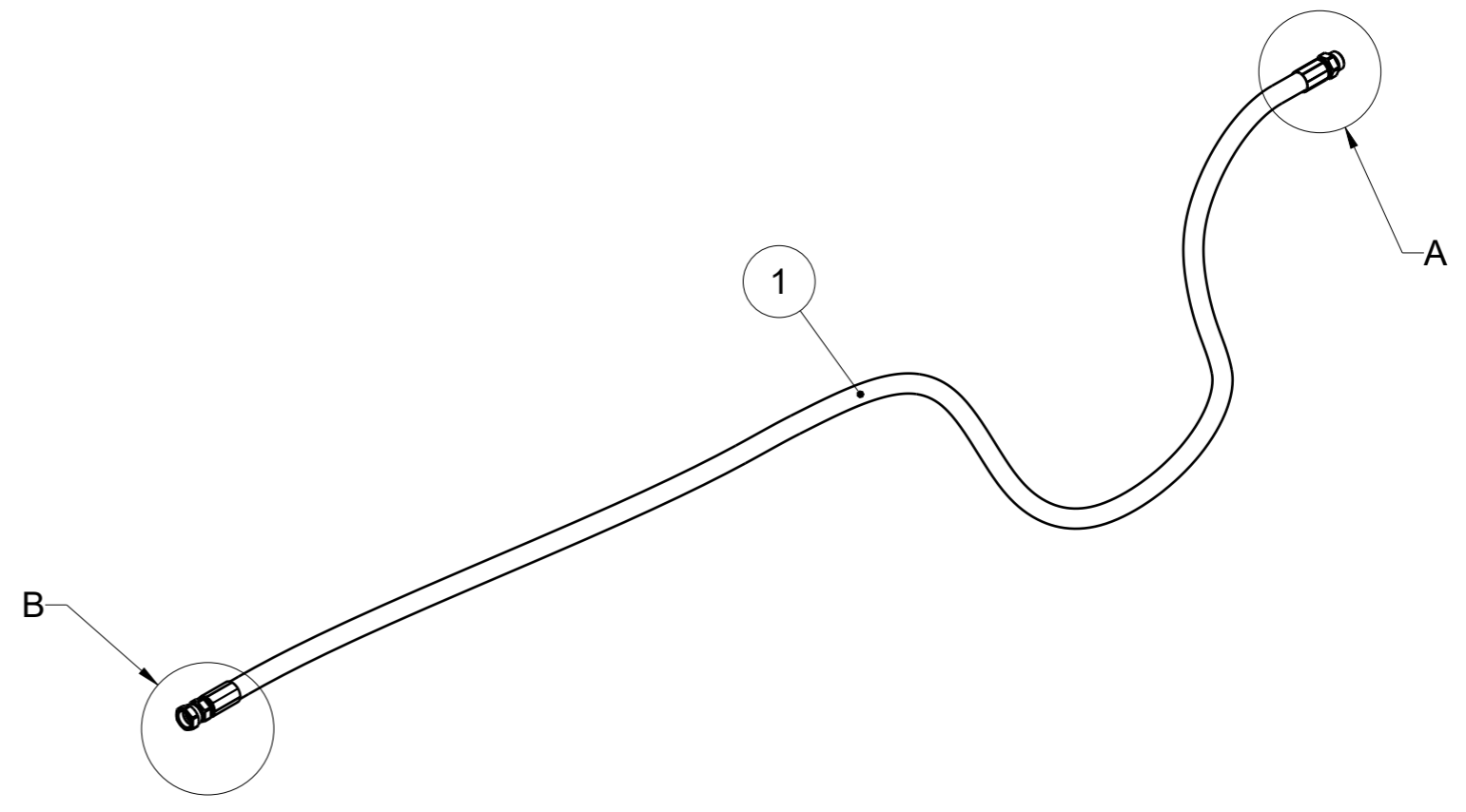
Rev.	Change Note	ECO Des.	-	ECO/RO	-	Date	-	Appr.	-
-									
-									



A
1:2



B
1:2



Manufacturing according to ISO 17165-1.

LENGTH equals to cutting length of hose material.

3	1	30001440	Hydraulkoppling / Hydraulic coupling	12MORB - 12 Hose - straight
2	1	30001439	Hydraulkoppling / Hydraulic coupling	12FJX - 12 Hose - straight
1	1	611107	Hydraulslang / Hydraulic hose	Di:3/4"
Pos.	Qty.	Art.no.	Description	Description dim.
For Holes			Designer	Examiner
Size ISO 14405 (GX)			andcar	erijo
According to standard			Approved First Release	Proj.
VAB STD 06-001:2022			-	ECO 24672
			Scale	
			1:10	Format A3
			Date Created	
			2023-04-04	Weight (kg) 2.87
			State	
			In Work	SR - NUFO -
			Art.no.	
			30001444	Rev. 1 Sheet 1/1

File	Ver.	Category
Object	1.6	HYD_HOSE
Dnw	1.7	

This document must not be copied without our written permission, and the contents thereof must not be imparted to a third party nor be used for any unauthorized purpose. Contravention will be prosecuted. - Väderstad AB