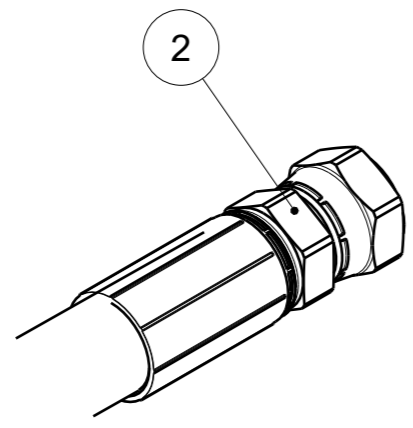
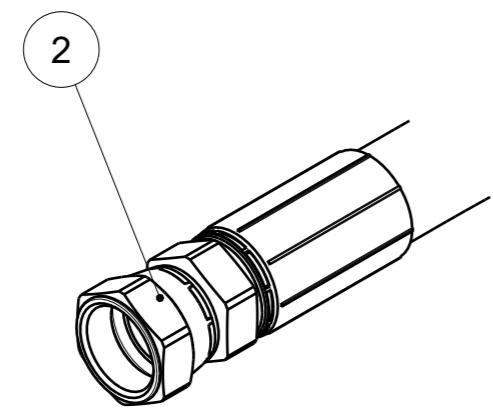


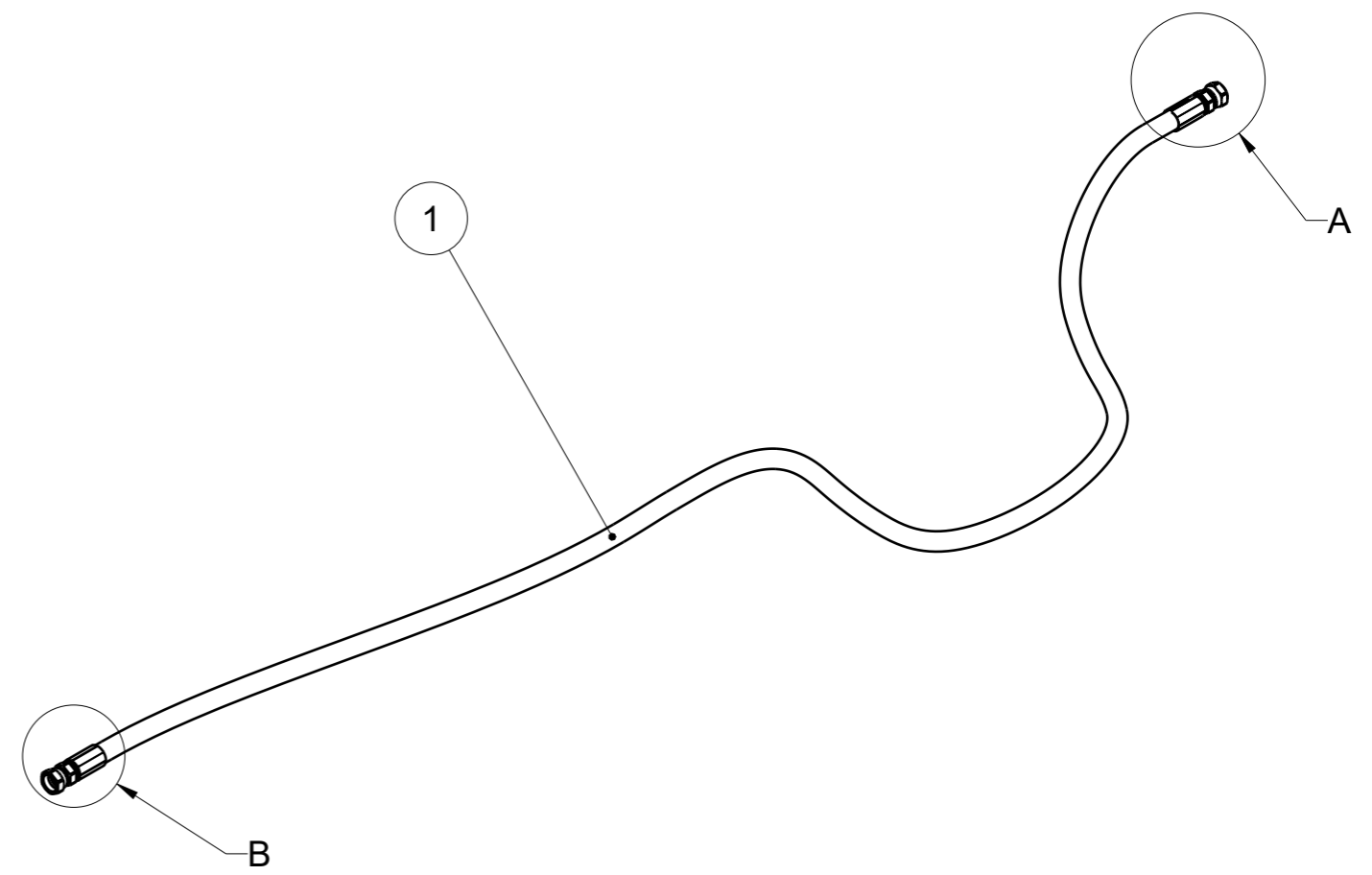
Rev.	Change Note	ECO Des.	-	ECO/RO	-	Date	-	Appr.	-
-									
-									
-									



A  
1:2




B  
1:2



Manufacturing according to ISO 17165-1.

LENGTH equals to cutting length of hose material.

2	2	30001439	Hydraulkoppling / Hydraulic coupling	12FJX - 12 Hose - straight
1	1	611107	Hydraulslang / Hydraulic hose	Di:3/4"
Pos.	Qty.	Art.no.	Description	Description dim.
For Holes			Designer	Examiner
Size ISO 14405 (GX)			andcar	erijo
According to standard			Approved First Release	Proj.
VAB STD 06-001:2022			-	ECO 24672
			Description	
			Hydraulslang Hydraulic Hose LENGTH 2750 ± 28	
Date Created			Scale	Format
2023-04-04			1:10	A3
State			SR	NUFO
In Work			-	-
Art.no.			Rev.	Sheet
30001435			1	1/1

File	Ver.	Category
Object	1.7	HYD_HOSE
Dnw	1.8	

This document must not be copied without our written permission, and the contents thereof must not be imparted to a third party nor be used for any unauthorized purpose. Contravention will be prosecuted. - Väderstad AB