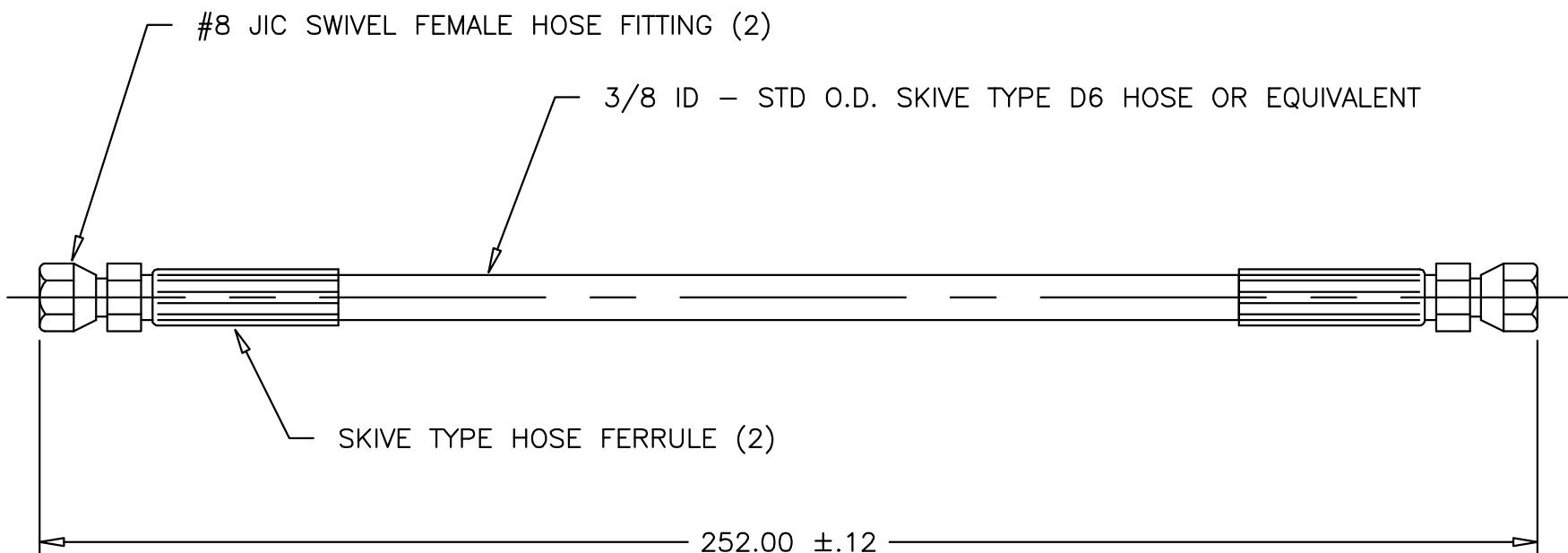


- NOTES : 1.) TUBE - BLACK OIL RESISTANT SYNTHETIC RUBBER.
 2.) COVER - BLACK OIL ABRASION RESISTANT SYNTHETIC RUBBER.
 3.) RATED WORKING P.S.I. - 3000 PSI
 4.) MINIMUM BURSTING P.S.I. - 12000
 5.) CAP BOTH ENDS.



					MATERIAL	PPP	[STD MIL TOL. UNLESS SPEC.]		
					TOLERANCE UNLESS SPECIFIED	<h1 style="margin: 0;">WIL-RICH</h1> <p style="margin: 0;">a division of TIC UNITED CORP.</p>			
					DECIMAL: .X ±.06 [1,5] .XX ±.03 [0,8] .XXX ±.015 [0,38]				
					HOLE DIA: -.005 +.015 [-0,13 +0,38] ANGLES: ±1.5° METRIC: [] DO NOT SCALE THIS DRAWING				
			A	RELEASE	HSE 3KPSI 3/8X252 8FJX-8FJX				
EO	BY	DATE	LTR	REVISION	PREP	CHK	APVD	SCALE NONE	DWG NO. 233688