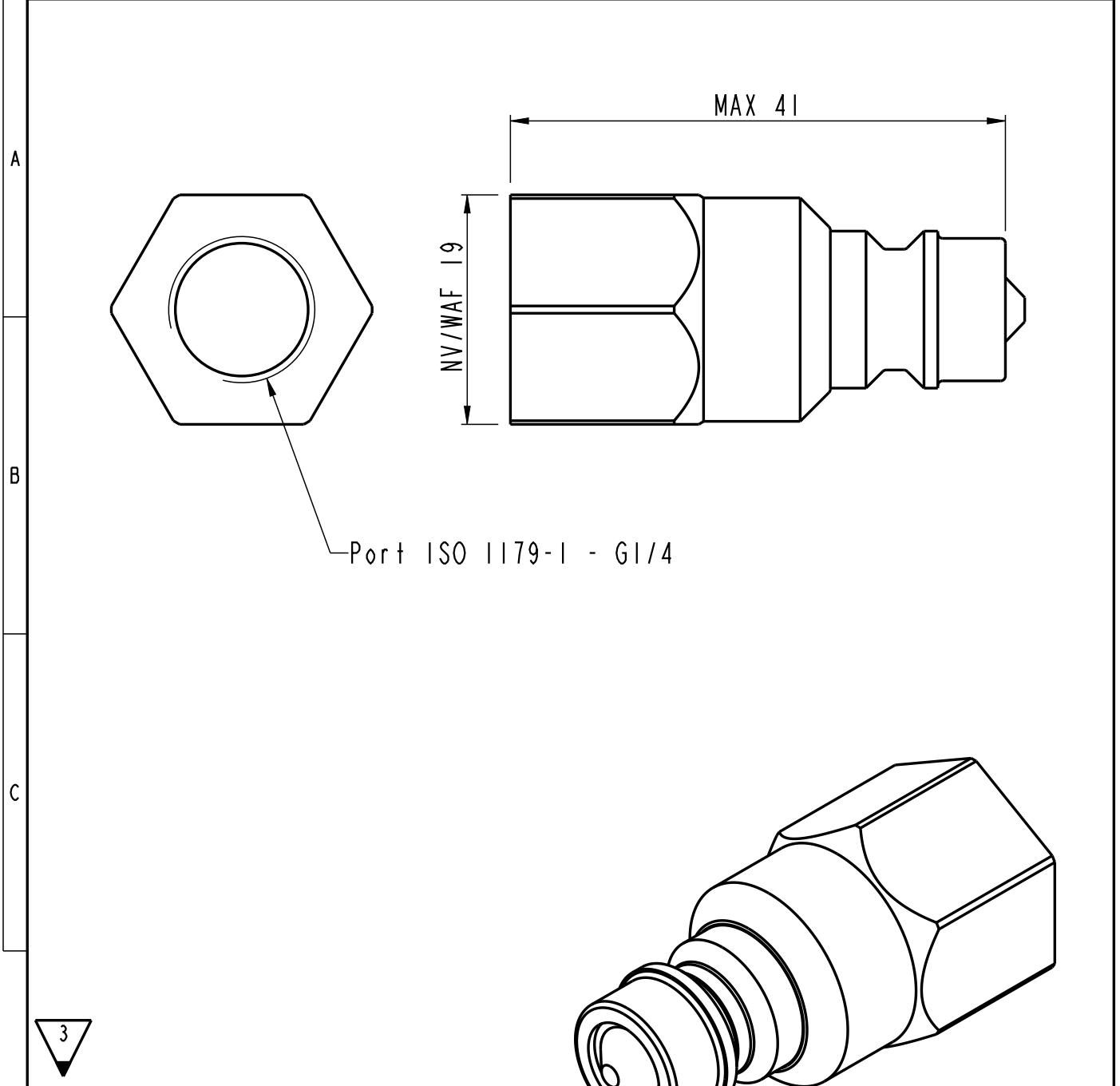


1	2	3	4
Rev.	Change note.	ECO/VPS	Date
3	Not/note ä/c; - /oskgu	19807	20180625
			Appr. axeze



Coupling ISO 7241 - A - 6.3

Vikt / Weight ca.: 0.05 kg

Tillverkas enligt / Manufacturing according to VAB STD 09-401

Ver	3.2
Objekt	3.2
Drw	3.2

This document must not be copied without our written permission, and the contents thereof must not be imparted to a third party nor be used for any unauthorized purpose. Contravention will be prosecuted. Väderstad AB

Material		Material description		Material dimension		Note	
Designer	Examiner	Approved	View plac.	ECO	Format		
erijo	erijo	annil 20130618		14869	A4		
 Väderstad AB SE-590 21 Väderstad				Description		Date	Scale
				Koppling Coupling DI: 1/4		2012-12-01	2:1
						Release	Rev.
				Released	3		
				Art.no.	SR	Sheet	
				162544	-	1/1	