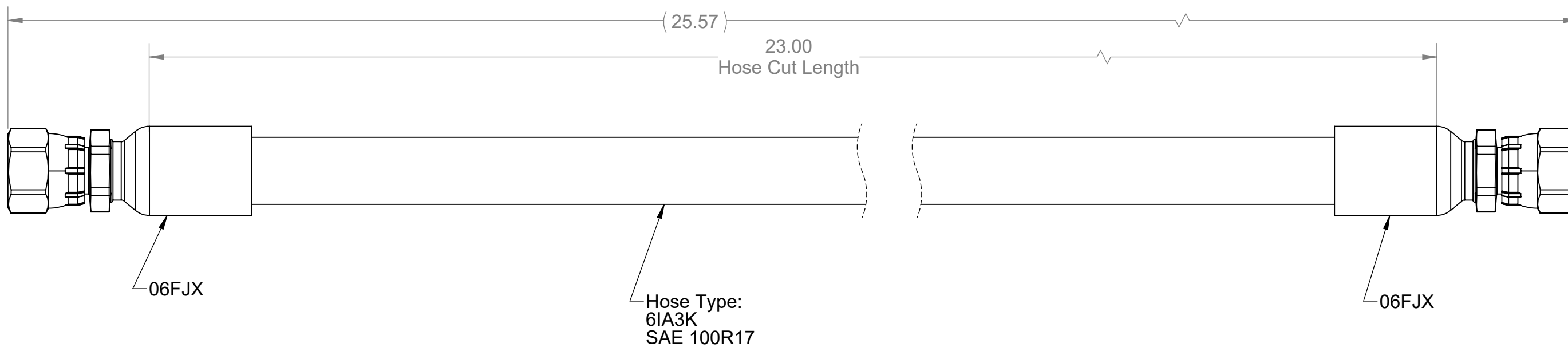


8 7 6 5 4 3 2 1

Notes:



<p><b>PROPRIETARY &amp; CONFIDENTIAL</b>          INFORMATION CONTAINED IN THIS DRAWING IS THE SOLE PROPERTY OF MAC Company.          ANY REPRODUCTION IN PART OR AS A WHOLE WITHOUT WRITTEN PERMISSION IS PROHIBITED.</p> <p><b>THIS DOCUMENT IS UNCONTROLLED WHEN PRINTED.</b>          BEFORE USE, CHECK ELECTRONIC COPY TO VERIFY THAT THIS IS THE CURRENT VERSION</p>	<p>Third Angle Projection</p>	<p><b>UNLESS OTHERWISE SPECIFIED</b>          Dimensions are in Inches          Dimensions in [ ] are in mm</p>	<p><b>INCH TOLERANCES:</b>          TWO DECIMAL ±.03          THREE DECIMAL ±.005          ANGULAR ±1°</p>	<p><b>MAC COMPANY</b>          1740 Main Ave W   Suite F          West Fargo, ND 58078          701.203.3811   888.293.5666          www.macompany.com</p>
<p>REVISION: A</p>	<p>DO NOT SCALE DRAWING</p>	<p>WEIGHT: (LB)</p>	<p>SHEET 1 OF 1</p>	<p>PART NUMBER: 003060P1</p>

5/16/2023	A	Released	JKS
DATE (mm/dd/yyyy)	REV	CHANGE RECORD	BY

8 7 6 5 4 3 2 1