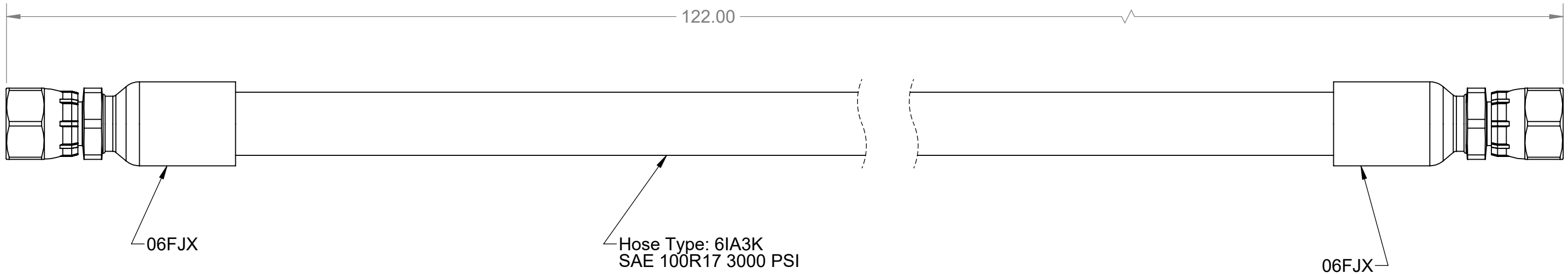


8 7 6 5 4 3 2 1

Notes:

F
E
D
C
B
A

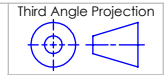
F
E
D
C
B
A



7/10/2023	B	Changed dimensioning to end to end, changed dimension from 122.56" to 122.0"	JKS
5/17/2023	A	Released	JKS
DATE (mm/dd/yyyy)	REV	CHANGE RECORD	BY

PROPRIETARY & CONFIDENTIAL
 INFORMATION CONTAINED IN THIS DRAWING IS THE SOLE PROPERTY OF MAC Company.
 ANY REPRODUCTION IN PART OR AS A WHOLE WITHOUT WRITTEN PERMISSION IS PROHIBITED.

THIS DOCUMENT IS UNCONTROLLED WHEN PRINTED.
 BEFORE USE, CHECK ELECTRONIC COPY TO VERIFY THAT THIS IS THE CURRENT VERSION



UNLESS OTHERWISE SPECIFIED
 Dimensions are in Inches
 Dimensions in [] are in mm

INCH TOLERANCES:
 TWO DECIMAL ±.03
 THREE DECIMAL ±.005
 ANGULAR ± 1°

DRAWN BY: Jeff Stein
 DATE: (mm/dd/yyyy)
 FINISH: SHEET SCALE 1:16 SHEET SIZE B

DESCRIPTION:
Hose 06FJX-100R17x120-06FJX
 MATERIAL: Specified by Vendor

MAC COMPANY
 1740 Main Ave W | Suite F
 West Fargo, ND 58078
 701.203.3811 | 888.293.5666
 www.macompany.com

REVISION:	B	DO NOT SCALE DRAWING	WEIGHT: (LB)	SHEET 1 OF 1	PART NUMBER: 003012P1
-----------	---	----------------------	--------------	--------------	---------------------------------

8 7 6 5 4 3 2 1