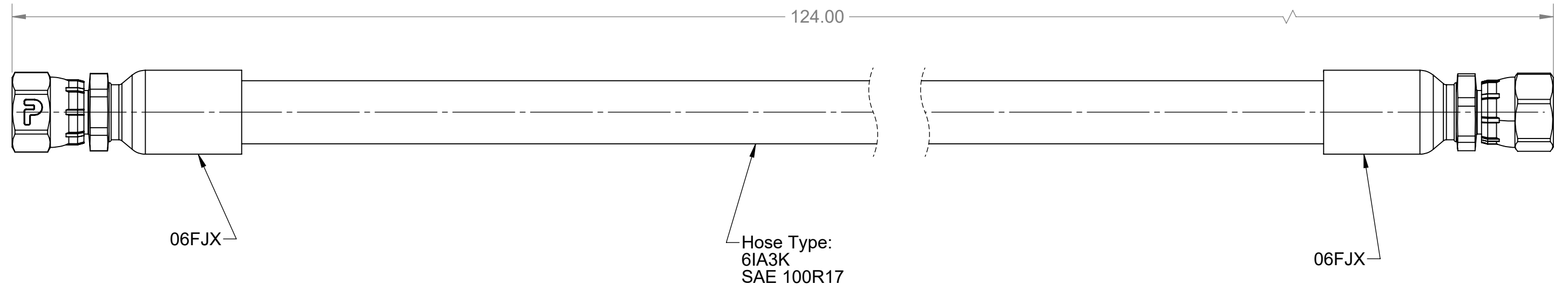


8 7 6 5 4 3 2 1

Notes:



7/5/2023	C	Changed length from 118.87" to 124.0"	JKS
6/2/2023	B	Replaced 06FJX45 w/ 06FJX on one end of hose.	JKS
5/15/2023	A	Released	JKS
DATE (mm/dd/yyyy)	REV	CHANGE RECORD	BY

<p>PROPRIETARY & CONFIDENTIAL INFORMATION CONTAINED IN THIS DRAWING IS THE SOLE PROPERTY OF MAC Company. ANY REPRODUCTION IN PART OR AS A WHOLE WITHOUT WRITTEN PERMISSION IS PROHIBITED.</p> <p>THIS DOCUMENT IS UNCONTROLLED WHEN PRINTED. BEFORE USE, CHECK ELECTRONIC COPY TO VERIFY THAT THIS IS THE CURRENT VERSION</p>	<p>Third Angle Projection</p>	<p>UNLESS OTHERWISE SPECIFIED Dimensions are in Inches Dimensions in [] are in mm</p>	<p>INCH TOLERANCES: TWO DECIMAL ±.03 THREE DECIMAL ±.005 ANGULAR ±1°</p>	<p>MAC COMPANY 1740 Main Ave W Suite F West Fargo, ND 58078 701.203.3811 888.293.5666 www.macompany.com</p>
	<p>DRAWN BY: Jeff Stein</p>	<p>DATE: (mm/dd/yyyy)</p>	<p>SHEET SCALE 1:16 SHEET SIZE B</p>	
<p>REVISION: C</p>	<p>DO NOT SCALE DRAWING</p>	<p>WEIGHT: (LB)</p>	<p>SHEET 1 OF 1</p>	<p>PART NUMBER: 003004P1</p>

8 7 6 5 4 3 2 1