

8

7

6

5

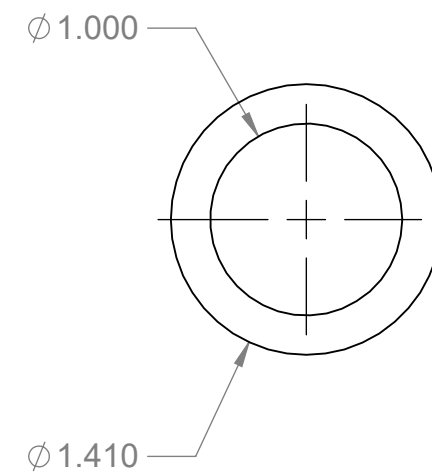
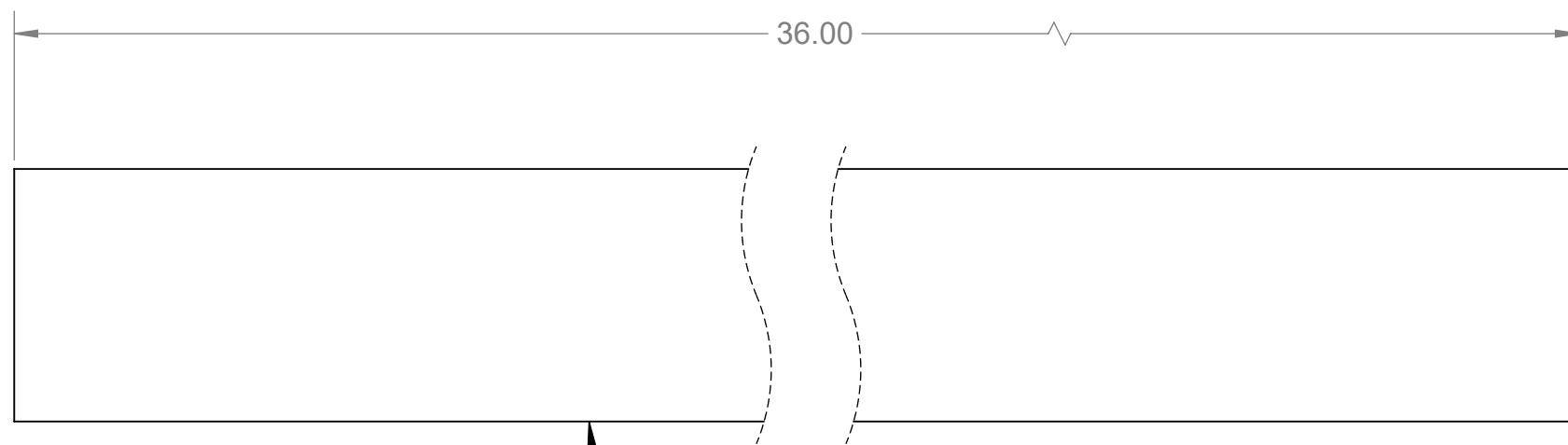
4

3

2

1

Notes:



Hose Type: Gates P/N 85752 Multimaster 16GMV Megaflex
SAE 100R4 300-1200 PSI

6/29/2023	B	Made hose 12" shorter	JKS
5/18/2023	A	Released	JKS
DATE (mm/dd/yyyy)	REV	CHANGE RECORD	BY

PROPRIETARY & CONFIDENTIAL INFORMATION CONTAINED IN THIS DRAWING IS THE SOLE PROPERTY OF MAC Company. ANY REPRODUCTION IN PART OR AS A WHOLE WITHOUT WRITTEN PERMISSION IS PROHIBITED. THIS DOCUMENT IS UNCONTROLLED WHEN PRINTED. BEFORE USE, CHECK ELECTRONIC COPY TO VERIFY THAT THIS IS THE CURRENT VERSION	Third Angle Projection 	UNLESS OTHERWISE SPECIFIED Dimensions are in Inches Dimensions in [] are in mm	INCH TOLERANCES: TWO DECIMAL ±.03 THREE DECIMAL ±.005 ANGULAR ±1°	MAC COMPANY 1740 Main Ave W Suite F West Fargo, ND 58078 701.203.3811 888.293.5666 www.macompany.com <small>VENDOR PART NUMBER:</small> 85752 Multimaster 16GMV
	DRAWN BY: Jeff Stein FINISH:	DATE: (mm/dd/yyyy) SHEET SCALE: 1:8 SHEET SIZE: B	DESCRIPTION: Hose 16GMV-1" ID x 1.41" OD x 48" L MATERIAL: Hose, Multimaster 16GMV Megaflex WEIGHT: (LB)	
REVISION: B	DO NOT SCALE DRAWING			

8

7

6

5

4

3

2

1