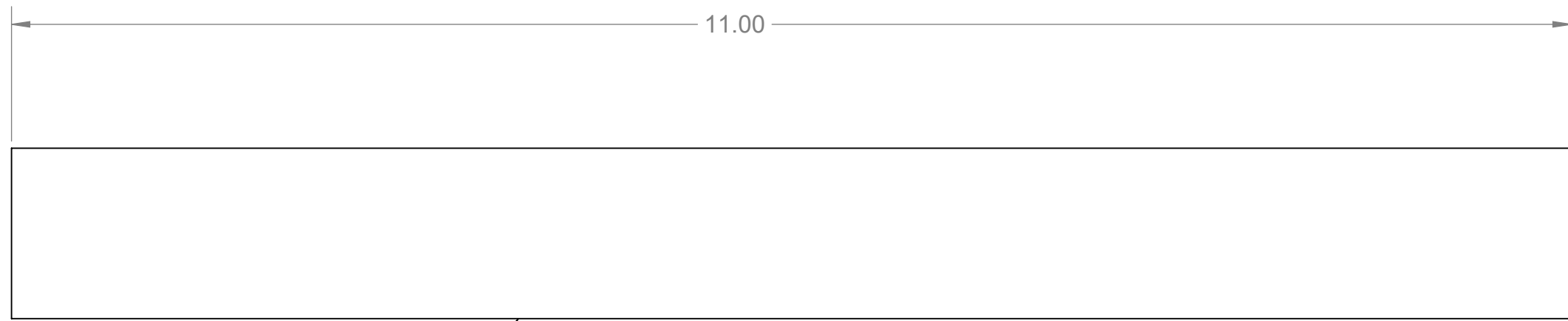
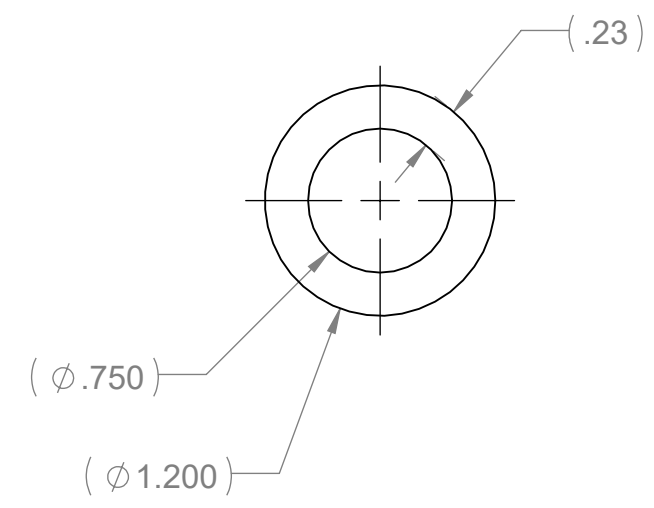


8 7 6 5 4 3 2 1

F  
E  
D  
C  
B  
A



Hose Type: Gates Multimaster 12GMV Megaflex  
SAE 100R4 350-1400 PSI



Notes:

- 1. From Filter Aux Tube To Hyd Aux Pump Charge Port

<p><b>PROPRIETARY &amp; CONFIDENTIAL</b> INFORMATION CONTAINED IN THIS DRAWING IS THE SOLE PROPERTY OF MAC Company. ANY REPRODUCTION IN PART OR AS A WHOLE WITHOUT WRITTEN PERMISSION IS PROHIBITED.</p> <p><b>THIS DOCUMENT IS UNCONTROLLED WHEN PRINTED.</b> BEFORE USE, CHECK ELECTRONIC COPY TO VERIFY THAT THIS IS THE CURRENT VERSION</p>	<p>Third Angle Projection</p>	<p><b>UNLESS OTHERWISE SPECIFIED</b> Dimensions are in Inches Dimensions in [ ] are in mm</p>	<p><b>INCH TOLERANCES:</b> TWO DECIMAL ± .03 THREE DECIMAL ± .005 ANGULAR ± 1°</p>	<p><b>MAC COMPANY</b> 1740 Main Ave W   Suite F West Fargo, ND 58078 701.203.3811   888.293.5666 www.macompany.com</p>
<p>FINISH: None</p>	<p>SHEET SCALE 1:16</p>	<p>SHEET SIZE B</p>	<p>VENDOR PART NUMBER:</p>	<p><b>002854P1</b></p>
<p>REVISION: <b>A</b></p>	<p><b>DO NOT SCALE DRAWING</b></p>	<p>WEIGHT: (LB) 0.27</p>	<p>SHEET 1 OF 1</p>	<p>PART NUMBER: <b>002854P1</b></p>

11/11/2022	A	Released	JKS
DATE (mm/dd/yyyy)	REV	CHANGE RECORD	BY

8 7 6 5 4 3 2 1